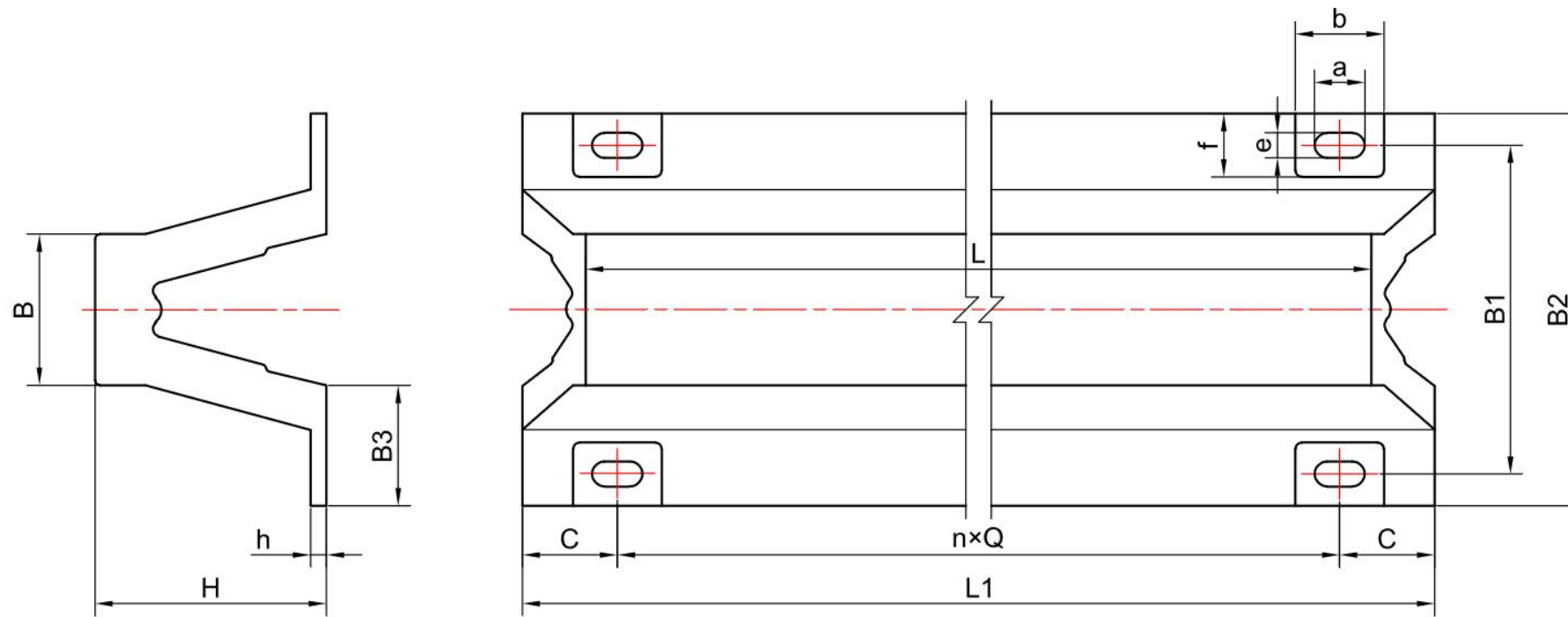


## ARCH FENDER

### Features:

1. Compare with traditional V type fender, Arch fender has bigger compression ratio, higher energy absorption and lower reaction force
2. Easy for installation
3. UHMW-PE pad could be installed onto the top of the Arch fender





Dimensions(mm):

Type	Dimensions														
	H	L	L1	C	Q	n	B	B1	B2	B3	h	a	b	e	f
A150x1000	150	1000	1075	110	855	2	98	240	300	96	22.5	50	95	25	55
A150x1500	150	1500	1575	112.5	675	3	98	240	300	96	22.5	50	95	25	55
A150x2000	150	2000	2075	215	620	4	98	240	300	96	22.5	50	95	25	55
A150x2500	150	2500	2575	220	785	4	98	240	300	96	22.5	50	95	25	55
A150x3000	150	3000	3075	215	715	5	98	240	300	96	22.5	50	95	25	55
A150x3500	150	3500	3575	220	671	6	98	240	300	96	22.5	50	95	25	55
A200x1000	200	1000	1100	120	860	1	145	320	400	128	30	58	105	29	75
A200x1500	200	1500	1600	120	680	2	145	320	400	128	30	58	105	29	75
A200x2000	200	2000	2100	120	620	3	145	320	400	128	30	58	105	29	75
A200x2500	200	2500	2600	122.5	785	3	145	320	400	128	30	58	105	29	75
A200x3000	200	3000	3100	120	715	4	145	320	400	128	30	58	105	29	75
A200x3500	200	3500	3600	120	672	5	145	320	400	128	30	58	105	29	75
A250x1000	250	1000	1125	130	865	1	164	410	500	160	30	64	125	32	90

A250x1500	250	1500	1658	132.5	680	2	164	410	500	160	30	64	125	32	90
A250x2000	250	2000	2125	132.5	620	3	164	410	500	160	30	64	125	32	90
A250x2500	250	2500	2625	127.5	790	3	164	410	500	160	30	64	125	32	90
A250x3000	250	3000	3125	132.5	715	4	164	410	500	160	30	64	125	32	90
A250x3500	250	3500	3625	130	673	5	164	410	500	160	30	64	125	32	90
A300x1000	300	1000	1150	140	870	1	225	490	600	195	33	70	140	35	105
A300x1500	300	1500	1650	140	685	2	225	490	600	195	33	70	140	35	105
A300x2000	300	2000	2150	137.5	625	3	225	490	600	195	33	70	140	35	105
A300x2500	300	2500	2650	140	70	3	225	490	600	195	33	70	140	35	105
A300x3000	300	3000	3150	145	715	4	225	490	600	195	33	70	140	35	105
A300x3500	300	3500	3650	140	674	5	225	490	600	195	33	70	140	35	105
A400x1000	400	1000	1200	150	900	1	300	670	800	260	40	82	165	41	120
A400x1500	400	1500	1700	150	700	2	300	670	800	260	40	82	165	41	120
A400x2000	400	2000	2200	147.5	635	3	300	670	800	260	40	82	165	41	120
A400x2500	400	2500	2700	150	800	3	300	670	800	260	40	82	165	41	120
A400x3000	400	3000	3200	150	725	4	300	670	800	260	40	82	165	41	120
A400x3500	400	3500	3700	150	680	5	300	670	800	260	40	82	165	41	120
A500x1000	500	1000	1250	160	930	1	375	840	1000	325	45	94	180	47	140
A500x1500	500	1500	1750	160	715	2	375	840	1000	325	45	94	180	47	140
A500x2000	500	2000	2250	157.5	645	3	375	840	1000	325	45	94	180	47	140
A500x2500	500	2500	2750	160	810	3	375	840	1000	325	45	94	180	47	140
A500x3000	500	3000	3250	165	730	4	375	840	1000	325	45	94	180	47	140
A500x3500	500	3500	3750	160	686	5	375	840	1000	325	45	94	180	47	140
A600x1000	600	1000	1300	170	960	1	450	1010	1200	390	54	100	195	50	160
A600x1500	600	1500	1800	170	730	2	450	1010	1200	390	54	100	195	50	160
A600x2000	600	2000	2300	167.5	655	3	450	1010	1200	390	54	100	195	50	160
A600x2500	600	2500	3800	170	820	3	450	1010	1200	390	54	100	195	50	160
A600x3000	600	3000	3300	170	740	4	450	1010	1200	390	54	100	195	50	160
A600x3500	600	3500	3800	170	692	5	450	1010	1200	390	54	100	195	50	160
A800x1000	800	1000	1400	180	1040	1	600	1340	1600	520	72	136	270	68	260
A800x1500	800	1500	1900	180	770	2	600	1340	1600	520	72	136	270	68	260
A800x2000	800	2000	2400	180	680	3	600	1340	1600	520	72	136	270	68	260
A800x2500	800	2500	2900	182.5	845	3	600	1340	1600	520	72	136	270	68	260
A800x3000	800	3000	3400	180	760	4	600	1340	1600	520	72	136	270	68	260
A1000x1000	1000	1000	1500	200	1100	1	750	1680	2000	650	90	136	290	68	300
A1000x1500	1000	1500	2000	200	800	2	750	1680	2000	650	90	136	290	68	300
A1000x2000	1000	2000	2500	200	700	3	750	1680	2000	650	90	136	290	68	300

Performance Data: (length: 1m)

Specification/ Performance		A150	A200	A250	A300	A400	A500	A600	A800	A1000	
RS	52.5%	R(KN)	135	176	281	330	441	551	660	881	1101
		E(KN-M)	7.1	11.2	29	42	74.4	115	166	296	463
	55%	R(KN)	182	240	391	460	612	765	917	1224	1529
		E(KN-M)	8.4	14.3	41.2	44.8	79.4	123	179	317	496
RH	52.5%	R(KN)	147	156	216	254	339	423	508	677	846
		E(KN-M)	6.1	11.2	22.8	31.6	57.1	89.5	129	228	356
	55%	R(KN)	157	208	300	353	469	588	706	940	1176
		E(KN-M)	7.1	12.2	24	33.7	6.12	94.9	138	254	381
RO	52.5%	R(KN)	87.7	114	179	2.9	281	351	420	561	703
		E(KN-M)	4.1	8.2	18.8	25.5	46.9	73.4	106	189	295
	55%	R(KN)	117	156	249	300	361	487	590	779	975
		E(KN-M)	5.1	9.2	19.8	27.4	50	78.5	13	202	317
RL	52.5%	R(KN)	58	78.5	154	181	241	301	361	481	602
		E(KN-M)	3.1	5.1	16.6	22.4	40.8	69.4	90.7	162	253
	55%	R(KN)	79.6	104	213	251	334	418	502	669	835
		E(KN-M)	4.1	6.1	17.5	24.5	43.5	67.3	97	173	271

Performance Data: (length: 1m, with UHMW-PE pad)

Spec.	RS		RH		RO		RL	
	Reaction Force	Energy Absorption	Reaction Force	Energy Absorption	Reaction Force	Energy Absorption	Reaction Force	Energy Absorption
A150	181	7	155	7	116	5	78	3
A200	241	13	208	11	157	8	103	6

A250	257	24	196	19	165	15	144	12
A300	326	35	242	27	200	21	158	16
A400	413	64	306	49	261	41	229	31
A500	511	102	401	78	354	64	268	54
A600	613	133	462	108	386	83	299	71
A800	831	265	621	200	510	150	456	126
A1000	1015	417	788	312	259	262	539	221

\*Performance tolerance:  $\pm 10\%$

\*Other performance is available to meet customers' request

\* RE- Extreme high reaction force; RS-Super high reaction force; RH-High reaction force; R0- Standard reaction force;

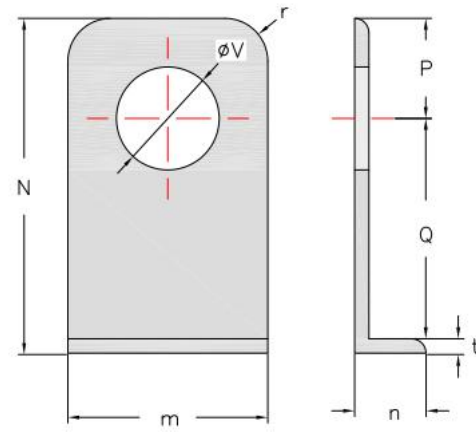
\* RL - Low reaction force

\* R- Reaction Force; E- Energy absorption

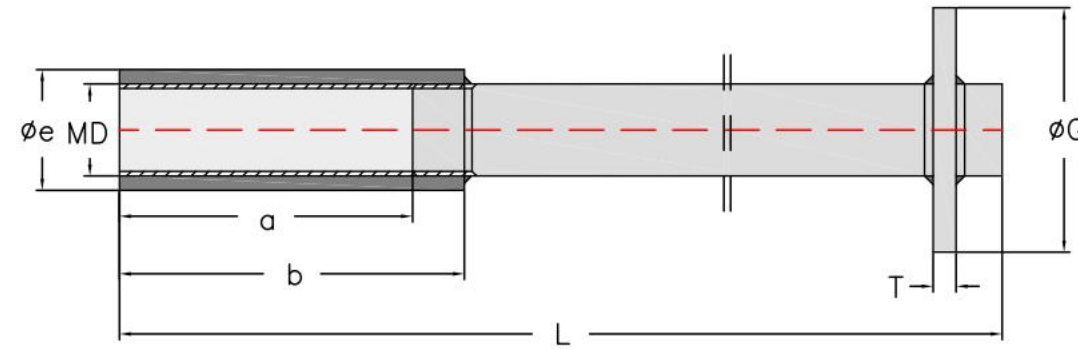
### Anchors

No.	Description	Material
1	Bolt	Q235 H.D.G, SUS304, SUS316
2	Embedded nut	Q235 H.D.G, SUS304, SUS316
3	Anchor rod	Q235 H.D.G
4	Anchor plate	Q235 H.D.G
5	Washer	Q235 H.D.G, SUS304, SUS316

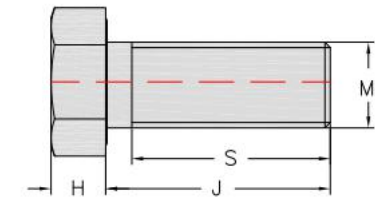




Washer



Anchor



Bolt

Unit: mm

Specification	Bolt				Washer								Anchors						
	MD	H	J	S	m	n	N	P	Q	t	V	r	MD	a	b	e	T	L	G
A200	24	15	65	59	74	14	80	33	42	5	26	10	24	59	85	34	6	180	55
A250	27	17	65	60	88	16	95	42	48	5	30	15	27	60	90	34	9	200	55
A300	30	19	85	70	100	19	110	47	58	5	37	15	30	85	120	44	9	300	80
A400	36	23	95	80	119	22	126	52	68	6	43	25	36	85	125	48	9	360	85
A500	42	26	110	90	127	25	145	56	83	6	49	30	42	95	140	58	12	420	110
A600	48	30	110	100	139	28	165	61	98	6	52	30	48	95	145	65	12	480	115
A800	64	40	150	120	195	32	266	124	134	8	70	40	64	125	190	78	16	640	130
A1000	64	40	150	120	215	36	306	134	164	8	70	40	64	125	190	78	16	640	130