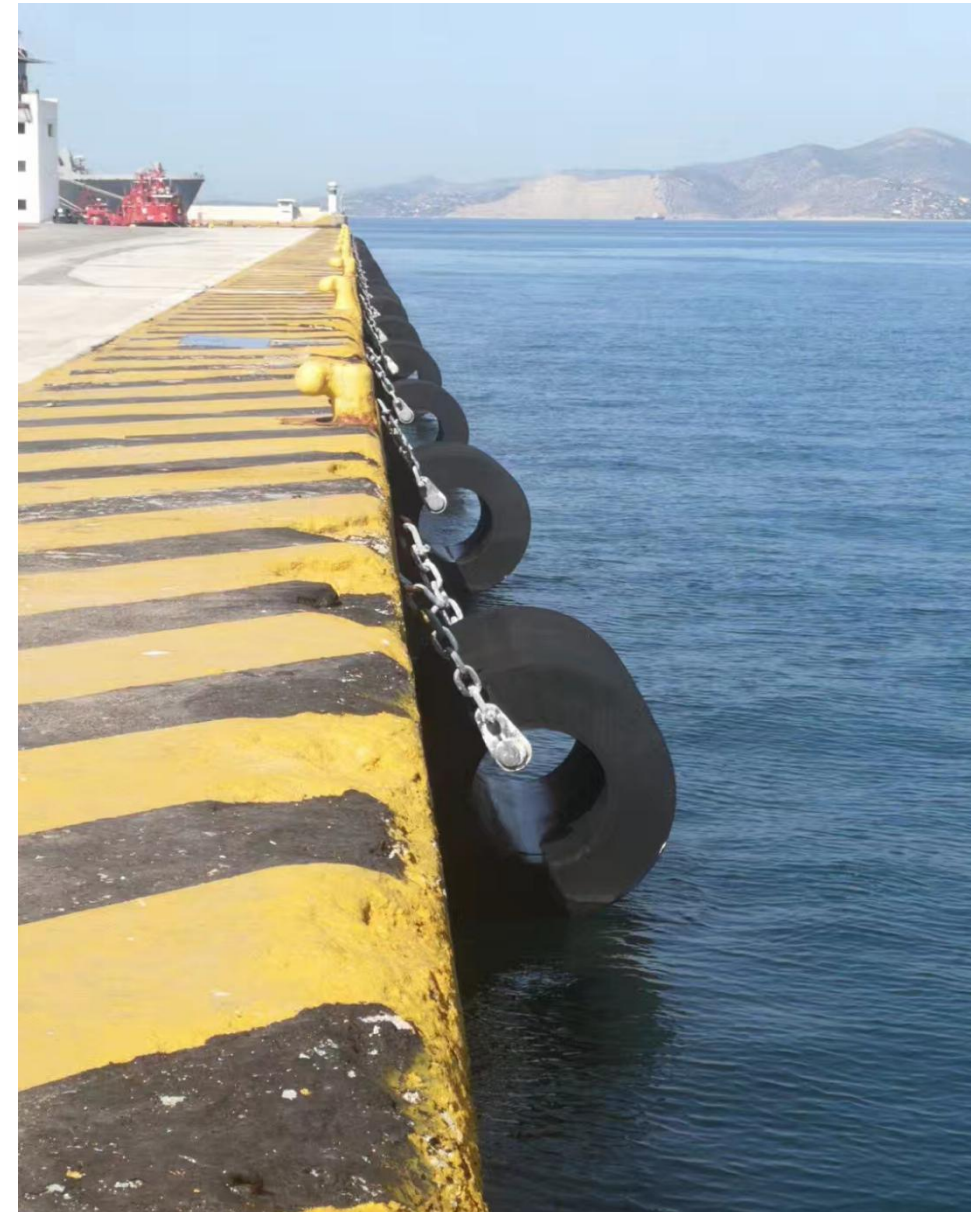
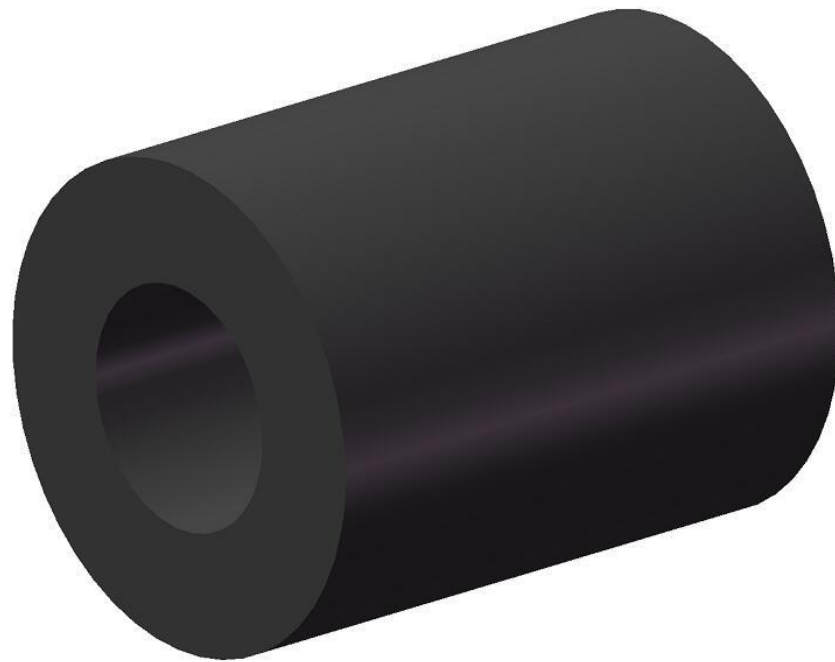


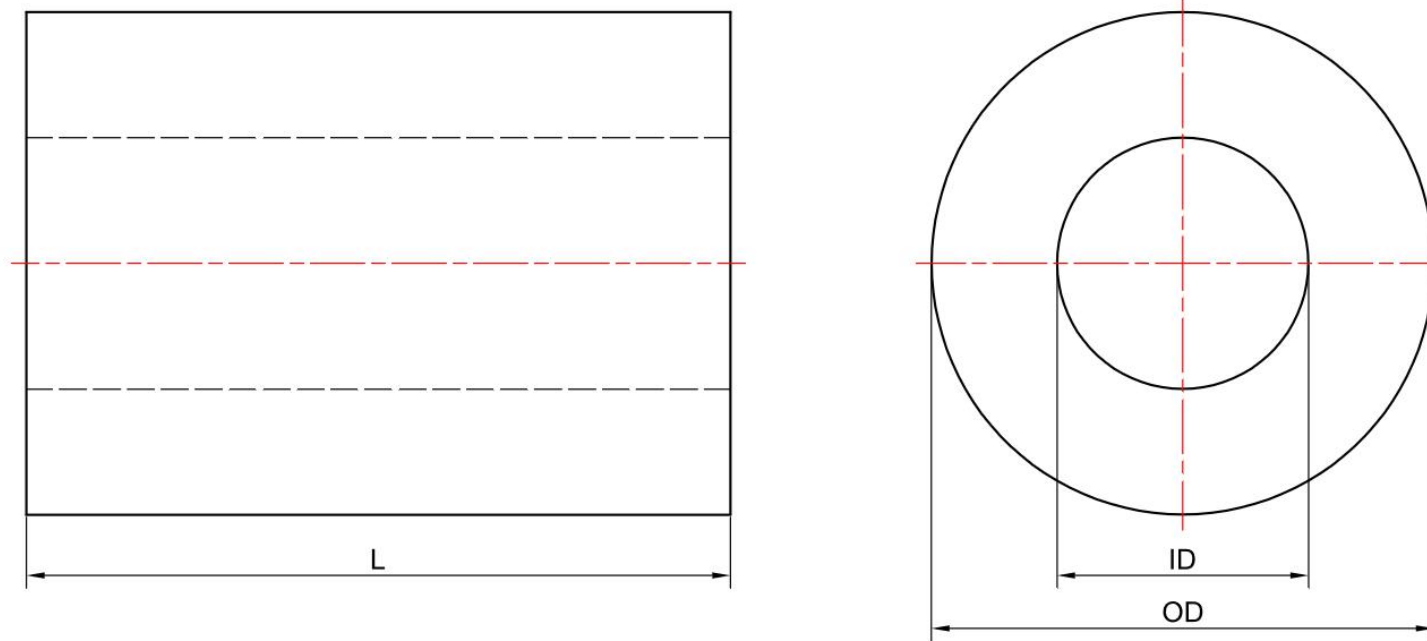
## CYLINDRICAL FENDER

### Features:

1. low reaction forces, little surface pressure, and reasonable energy absorption.
2. Applicable for upper part of integral docks & heavy style docks.
3. Applicable for ships with different sizes.
4. Various installations styles such as horizontal, Vertical & diagonal etc.



Dimensions(mm) &Performance Data:



Types	OD	ID	Weight (kgs)	Standard Type		High reaction force	
				Reaction force (KN)	Energy Absorption (KN-M)	Reaction force (KN)	Energy Absorption (KN-M)
CY150 x1000	150	75	16	44	1.5	73	2.3
CY200 X 1000	200	100	39	60	2.6	95	4.2
CY250 X 1000	250	125	46	75	4	120	6.5
CY300 X 1000	300	150	66	89	6	143	9
CY350 X 1000	350	175	90	104	8	167	13
CY400 X 1000	400	200	118	119	10	191	17

CY500 X 1000	500	250	184	148	16	239	26
CY600 X 1000	600	300	265	179	24	286	37
CY700 X 1000	700	350	361	208	31	334	50
CY800 X 1000	800	400	471	237	41	383	66
CY900 X 1000	900	450	596	268	52	430	84
CY1000 X 1000	1000	500	736	297	64	479	103
CY1100 X 1000	1100	550	890	331	77	528	129
CY1200 X 1000	1200	600	1060	363	95	574	152
CY1300 X 1000	1300	650	1244	392	108	623	179
CY1400 X 1000	1400	700	1442	422	128	670	208
CY1500 X 1000	1500	750	1656	451	147	718	238
CY1600 X 1000	1600	800	1884	481	176	776	282
CY1700 X 1000	1700	850	2127	511	206	824	38
CY1800 X 1000	1800	900	2384	541	247	872	406
CY1900 X 1000	1900	950	2657	570	288	920	487
CY2000 X 1000	2000	1000	2994	653	321	1054	584

**Notes:**

Performance tolerance is  $\pm 10\%$ ; 50% rated deflection

### Installation & accessories



For Small Cylindrical Fenders (mm)

OD	ID	Chains	Shackles
100	50	14	16
150	75	14	16
200	100	18	19
250	125	20	22
300	150	24	28
350	175	28	35
400	200	28	35
450	225	28	35
500	250	32	28
600	300	35	44

For large Cylindrical Fenders (mm)

OD	ID	Length	Steel bar $\phi$ B	Chain	Shackles
800	400	1000	35	24	28
		1500	45	28	35
		2000	55	32	38
		2500	65	34	44
		3000	70	40	50

1000	500	1000	45	28	35
		1500	55	32	38
		2000	65	38	44
		2500	75	40	50
		3000	85	44	50
1200	600	1000	50	28	35
		1500	65	34	44
		2000	75	40	50
		2500	85	44	50
		3000	100	50	56
1400	700	1000	65	38	44
		1500	70	38	44
		2000	80	44	50
		2500	90	48	56
		3000	100	52	64
1600	800	1000	75	40	50
		1500	80	40	50
		2000	90	46	50
		2500	110	48	56
		3000	120	54	64