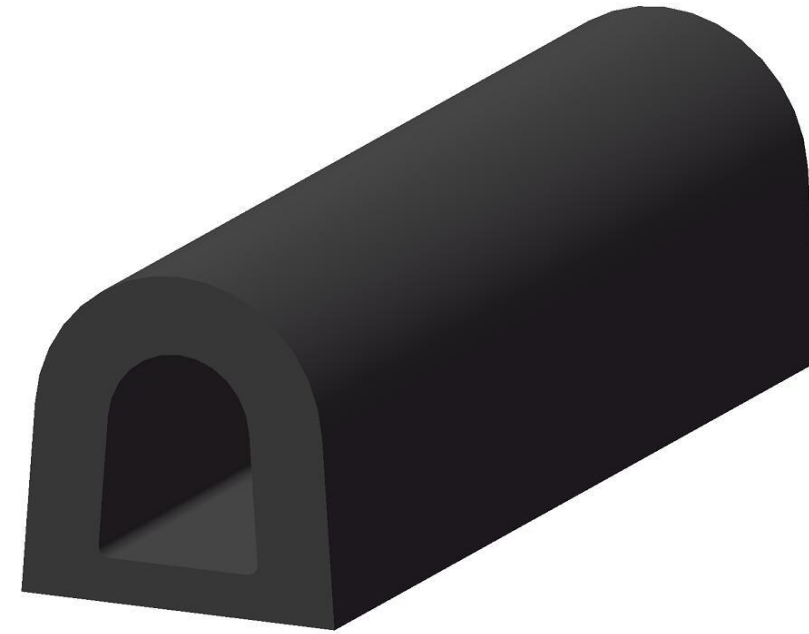


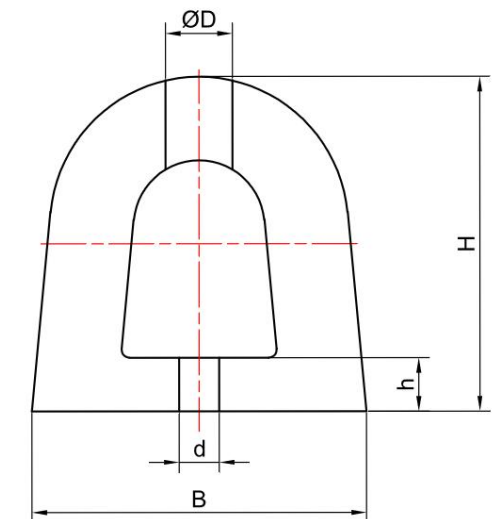
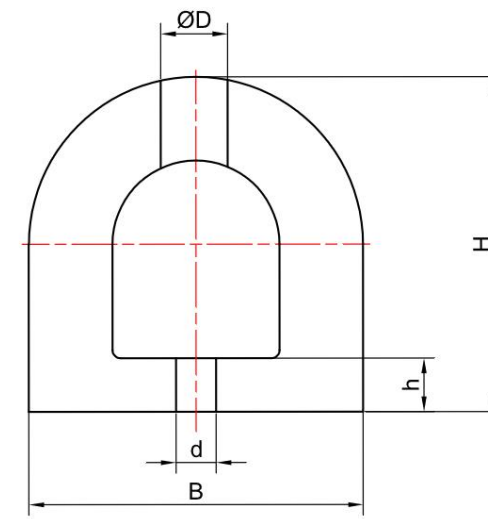
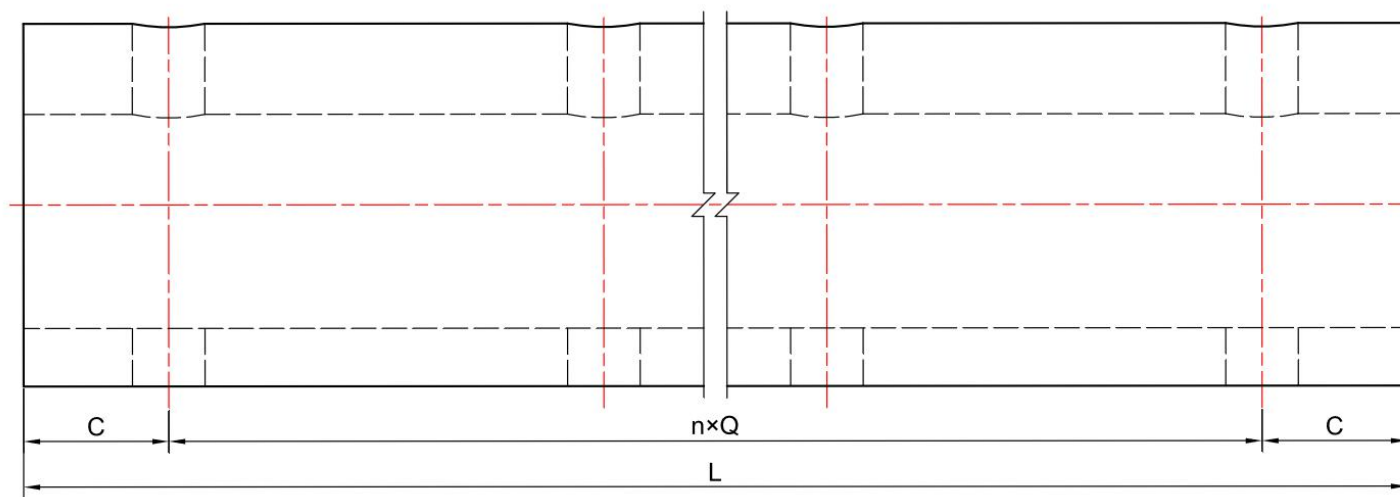
## DD TYPE FENDERS

### Features:

1. Reasonable reaction force and higher energy absorption
2. Easy installation
3. Suitable for frame type wharf, or protection of vessel



### Dimensions (mm)



Type(mm)	Specification								
	H	B	L	Holes	Q	C	H	D	d

150x150x1000	150	150	1000	3	350	150	25	40	24
200x200x1000	200	200	1000	3	350	150	35	55	30
200x200x3000	200	200	3000	8	400	100	35	55	30
250x250x1000	250	250	1000	3	350	150	35	60	30
250x250x3000	250	250	3000	8	400	100	35	60	30
300x300x1000	300	300	1000	3	350	150	40	65	32
300x300x3000	300	300	3000	8	400	100	40	65	32
300x360x1000	300	360	1000	3	350	150	40	65	32
300x360x3000	300	360	3000	8	400	100	40	65	40
400x400x1000	400	400	1000	3	350	150	55	80	32
400x400x3000	400	400	3000	8	400	100	55	80	40
500x500x1000	500	500	1000	3	350	150	90	97	45
500x500x3000	500	500	3000	8	400	100	90	97	45

**Performance Data:**

Type	Specification		
	Deflection %	Reaction force (KN)	Energy Absorption (KN-M)
D150x150x1000	50	115	3.2
D200x200x1000	50	211	8.6
D250x250x1000	50	252	9.2
D300x300x1000	50	300	12
D300x360x1000	50	330	14
D400x400x1000	50	390	20
D500x500x1000	50	460	32

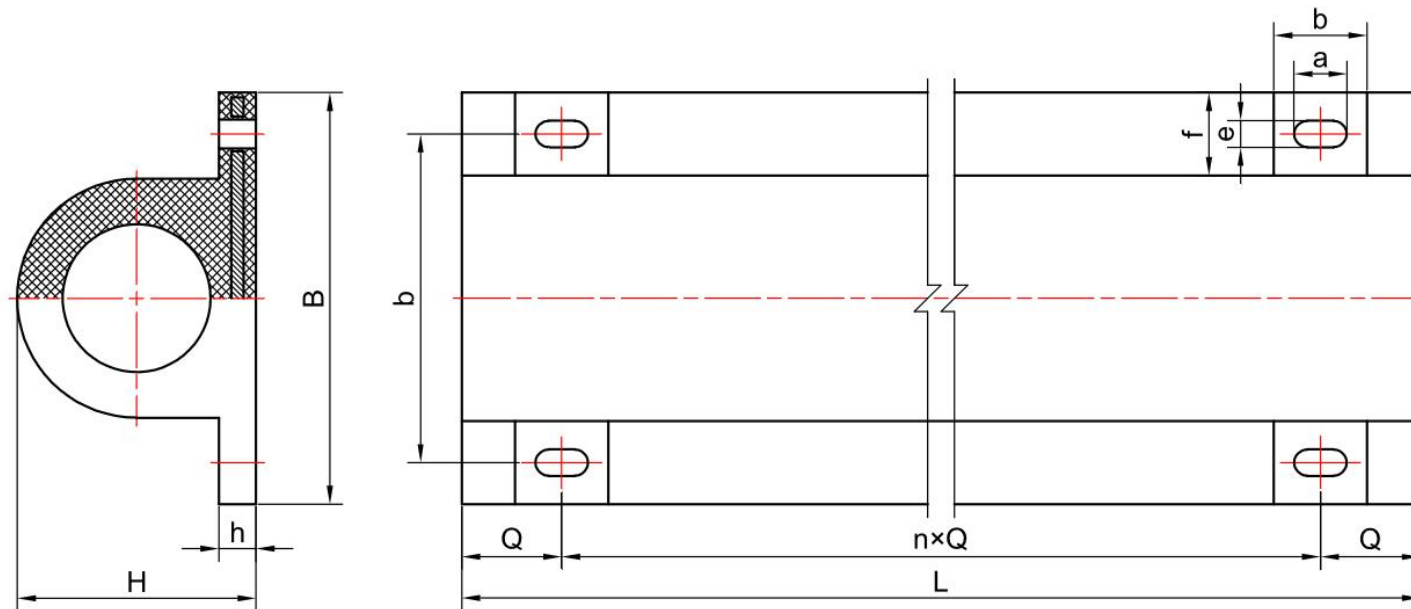
## DO TYPE FENDER- WING FENDER

### Features:

1. DO fender is improved from D type fender.
2. A complete steel plate inside enlarges the strength and use life.
3. Suitable for framework quay and river, it can be used with other rubber fender



### Dimensions (mm):



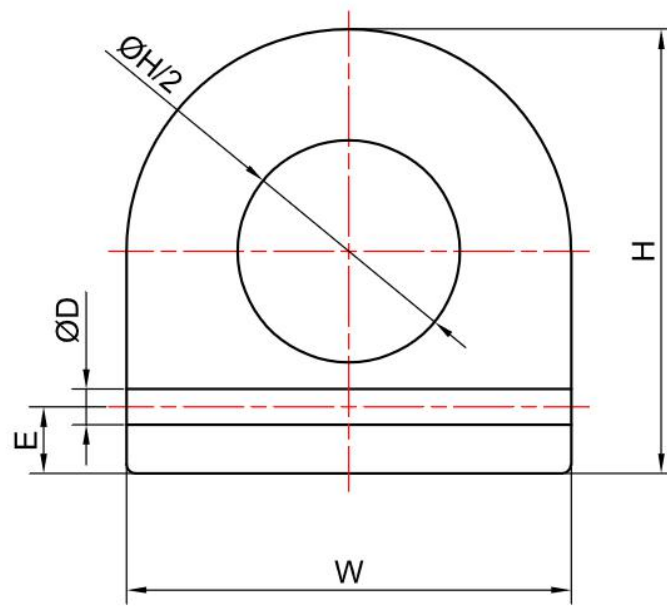
Unit: mm

Types	Specifications											
	H	B	b	L	Q	n	b	h	a	e	h	n
D0280x540x1000	280	540	430	1000	150	700	165	120	82	41	40	2
D0280x540x1500	280	540	430	1500	150	600	165	120	82	41	40	3
D0280x540x2000	280	540	430	2000	145	570	165	120	82	41	40	4
D0280x540x2500	280	540	430	2500	150	550	165	120	82	41	40	5
D0280x540x3000	280	540	430	3000	150	540	165	120	82	41	40	6
D0300x600x1000	300	600	490	1000	150	700	165	120	82	41	40	2
D0300x600x1500	300	600	490	1500	150	600	165	120	82	41	40	3
D0300x600x2000	300	600	490	2000	145	570	165	120	82	41	40	4
D0300x600x2500	300	600	490	2500	150	550	165	120	82	41	40	5
D0300x600x3000	300	600	490	3000	150	540	165	120	82	41	40	6

Performance Data:

Type	Performance			
	Related Deflection %	Reaction Force (KN)	Energy Absorption (KN-M)	Tolerance %
D0280x540x1000	50	382	14	±10
D0300x600x1000		505	20	

### DC TYPE RUBBER FENDERS



#### Dimensions (mm):

H x W	D	E
100x100	15	25
150x150	20	30
200x200	25	45
250x250	30	50
300x300	30	60
350x350	35	70
400x400	35	80
500x500	45	90

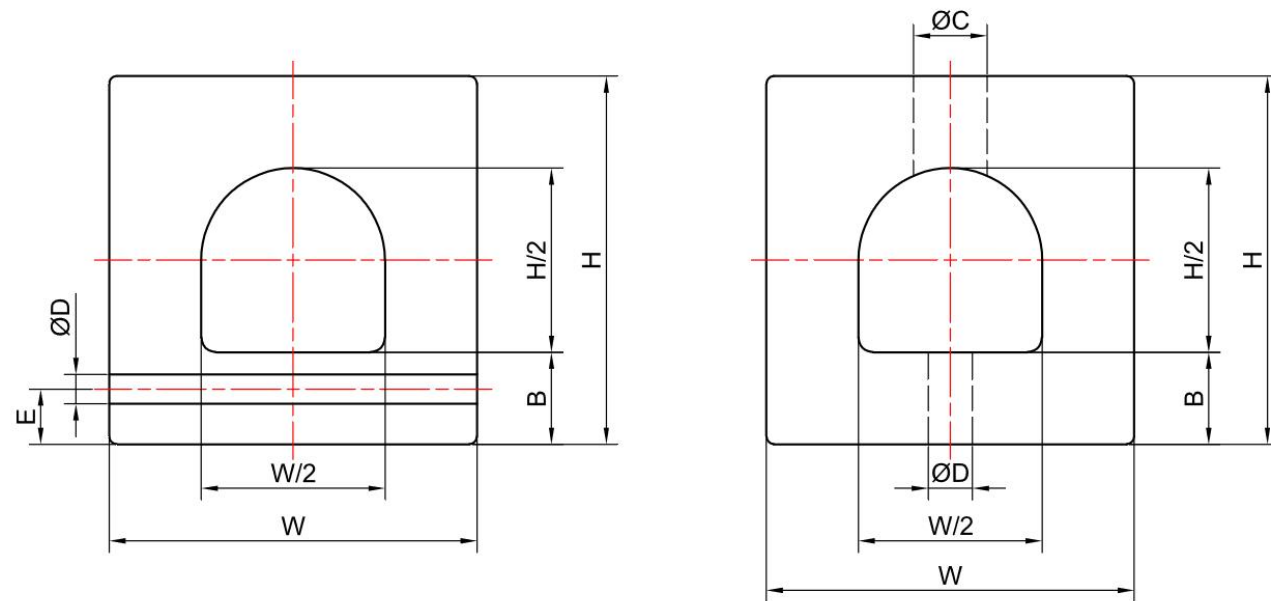
#### Performance Data:

Size	Energy absorption Kn-M	Reaction force KN
100	2	157
150	4	235
200	8	314
250	12	392
300	17	471
350	23	549
400	29	628
500	46	785

## SD RUBBER FENDERS

### Features:

1. Suitable for quay, dock and small tugs.
2. Commonly used on the bow or stern of smaller tugs.



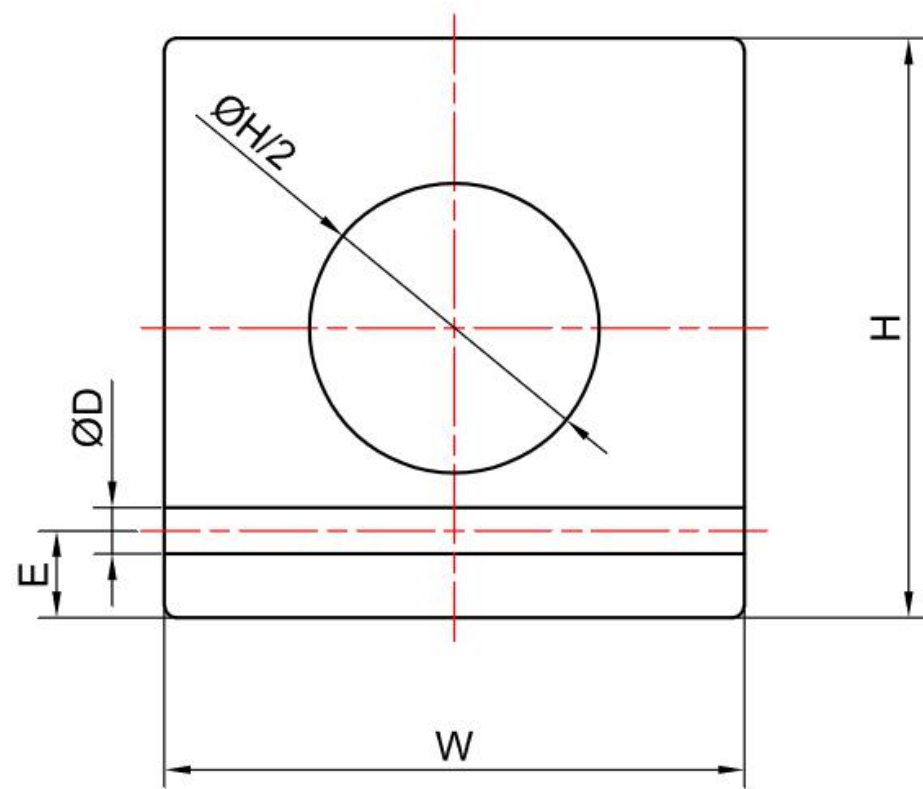
### Dimensions(mm)

H	W	B	C	D	E
100	100	25	30	15	25
150	150	38	40	20	30
200	200	50	50	25	45
250	250	62	60	30	50
300	300	62	60	30	50
350	350	75	75	30	60
400	400	100	75	35	80
500	500	125	90	45	90

### Performance Data

Specification	Energy absorption Kn-M	Reaction force KN
100	3	136
150	6	206
200	11	275
250	17	343
300	25	412
350	34	471
400	45	589
500	70	736

## SC RUBBER FENDERS



### Dimensions (mm)

HxW	D	E
100x100	15	25
150x150	20	30
200x200	25	45
250x250	30	50
300x300	30	60
350x350	35	70
400x400	35	80
500x500	45	90

### Performance Data

Size	Energy absorption Kn-M	Reaction force KN
100	2.7	157
150	6.4	236
200	11	314
250	18	392
300	25	471
350	34	489
400	45	628
500	70	785