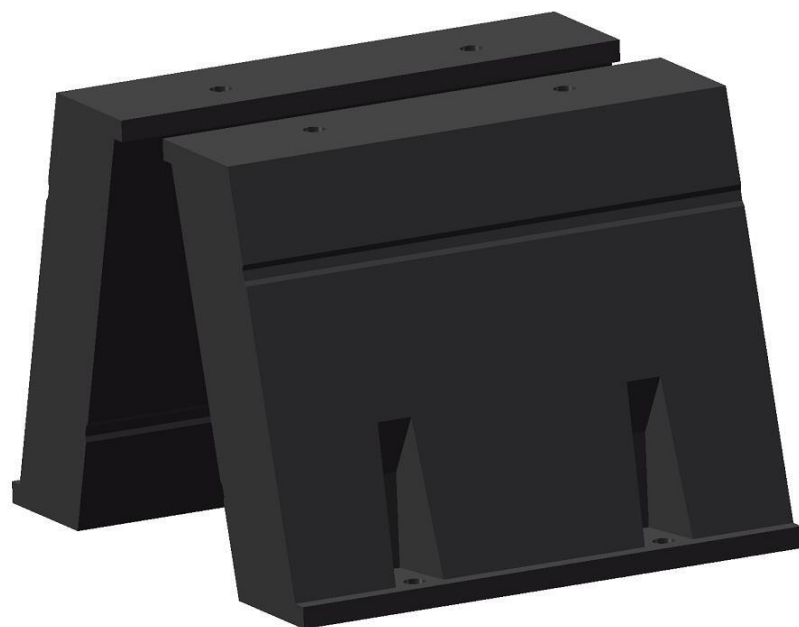
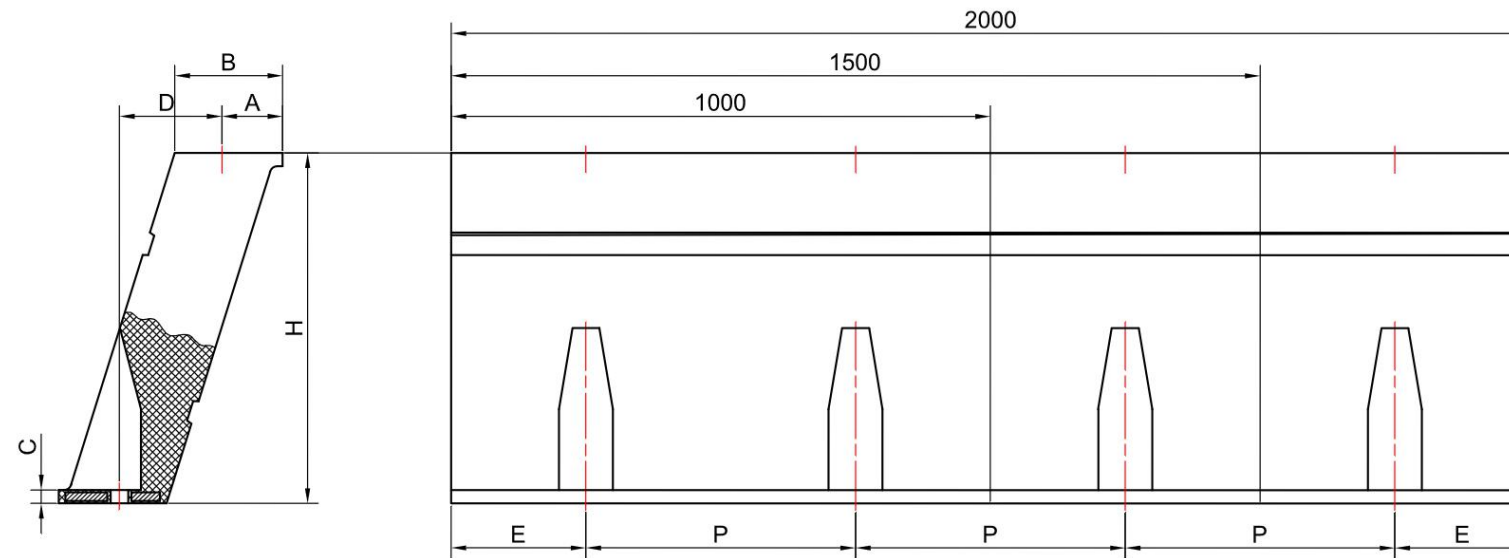


ELEMENT FENDER

Features:

1. Highly efficient shape
2. Strong in lengthwise shear
3. Large range of performance





Dimensions (mm)

Type	Main Specifications								
	H	A	B	C	D	L	E	P	Bolts
MV300	300	47	94	15	94	2000	250	500	M20
MV400	400	63	125	17	124	2000	250	500	M24
MV500	500	87	158	20	142	2000	250	500	M30
MV550	550	87	172	20	170	2000	250	500	M30
MV600	600	87	188	20	199	2000	250	500	M30
MV750	750	118	235	26	230	2000	250	500	M36
MV800	800	129	250	26	240	2000	250	500	M36
MV1000	1000	162	322	31	310	2000	250	500	M42
MV1250	1250	202	401	36	388	2000	250	500	M48
MV1450	1450	228	454	41	454	2000	250	500	M48
MV1600	1600	257	500	50	480	2000	250	500	M56

Performance Data

Types	Standard Reaction Force		High Reaction Force		Low Reaction Force	
	Re (KN)	EA(KN-M)	Re (KN)	EA(KN-M)	Re (KN)	EA(KN-M)
MV300	110	15	161	22	93	11.2
MV400	150	27	214	39	112	20.8
MV500	187	43	267	61	141	32
MV550	206	52	294	75	156	40
MV600	224	62	320	89	172	47
MV750	282	96	402	137	212	72.6
MV800	299	110	428	157	225	83
MV1000	374	172	534	245	283	130
MV1250	467	268	667	383	341	185
MV1450	543	361	775	516	396	255
MV1600	599	440	855	628	453	335

Notes:

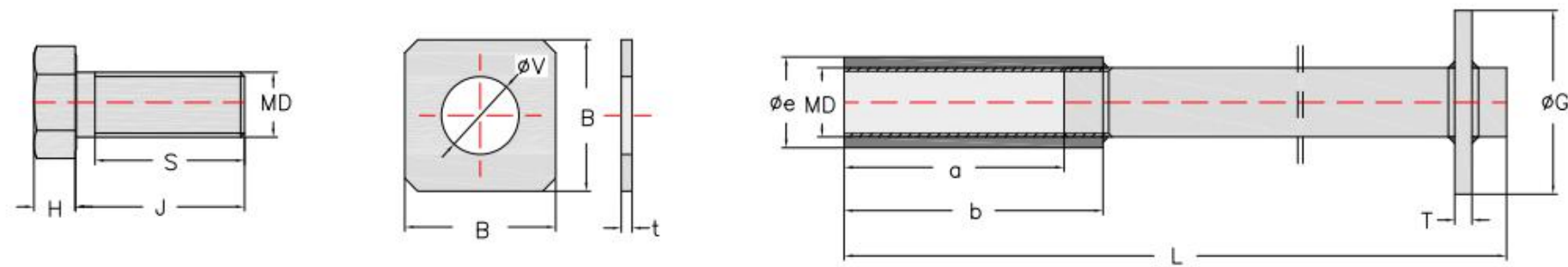
1. The performance above is only for every single fender, L=1000mm
2. Max. Rated deflection 57.5%
3. Performance tolerance is ±10%

Accessories - Anchorages



Materials:

1. Bolt: Q235 H.D.G; SUS304, SUS316
2. Washer: Q235 H.D.G; SUS304, SUS316
3. Embedded anchor: SUS304, SUS316, Q235 H.D.G

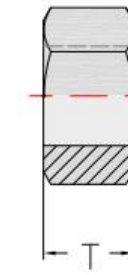
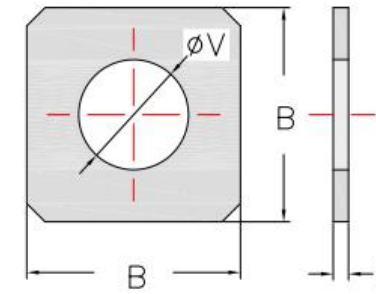
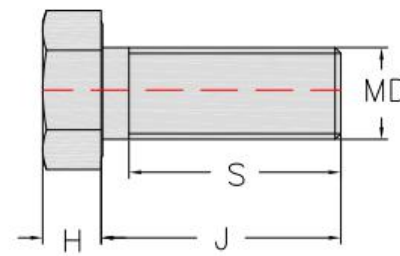
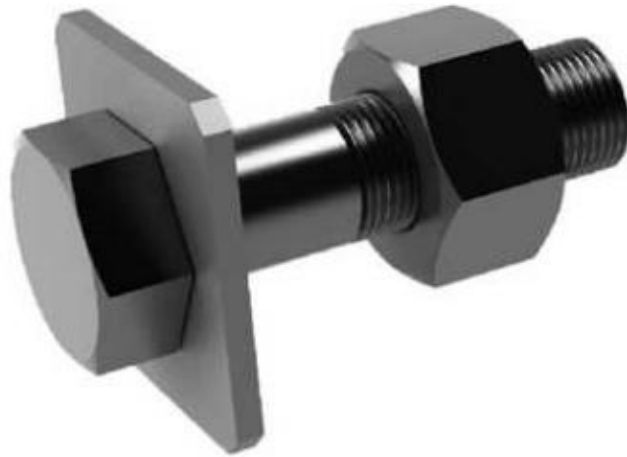


Specification	Bolt				Nut			Anchors					
	MD	H	J	S	B	t	V	a	b	c	T	L	G
MV300	M24	15	60	55	55	5	28	60	90	36	6	240	75
MV400	M24	15	65	60	55	5	28	65	100	36	6	240	75
MV500	M30	19	70	65	65	5	34	70	105	39	6	300	80
MV550	M30	19	70	65	65	5	34	70	105	39	9	300	85
MV600	M30	19	70	65	65	6	34	70	110	39	9	300	85
MV750	M36	23	85	70	75	6	40	85	125	44	9	360	95
MV800	M36	23	85	70	75	6	40	85	125	44	9	360	95
MV1000	M42	26	95	85	90	6	46	95	130	59	12	420	100
MV1250	M48	30	105	95	100	8	52	105	150	65	12	480	115
MV1450	M48	30	110	95	110	8	52	110	150	65	12	480	115
MV1600	M56	35	135	110	120	10	60	120	165	69	16	560	140

Mountings for Fenders & Frontal Panels

Materials:

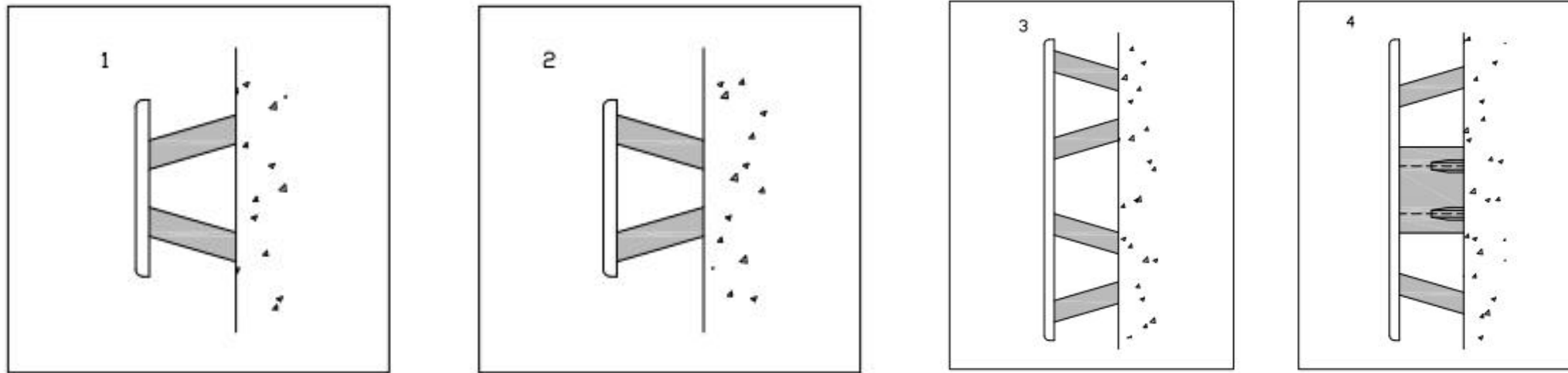
1. Bolt: Q235 H.D.G; SUS304, SUS316
2. Nut: SUS304, SUS316
3. Washer: SUS304, SUS316, Q235 H.D.G



UNIT: mm

Specifications	Bolt				Nut	Washer		
	MD	H	J	S	T	B	t	V
MV300	M24	15	60	55	19	55	5	28
MV400	M24	15	60	55	19	55	5	28
MV500	M30	19	75	65	24	65	5	34
MV550	M30	19	75	65	24	65	5	34
MV600	M30	19	75	65	24	65	6	34
MV750	M36	23	85	70	28	75	6	40
MV800	M36	23	85	70	28	75	6	40
MV1000	M42	26	100	90	34	90	6	46
MV1250	M48	30	110	95	38	100	8	52
MV1450	M48	30	115	100	38	110	8	52
MV1600	M56	35	140	120	45	120	10	60

Fender Combination Style



Min. Installation space between Fenders

