

Panama Chocks

1. Scope

This Japanese Industrial Standard specifies Panama chocks for ship use.

2. Classification

The Panama chocks shall be classified as given in **Table**.

Table

Type	Material	Application
AC	Cast steel	To be fitted to the deck
AP	Steel plate	
BC	Cast steel	To be fitted to the bulwark
BP	Steel plate	

3. Construction, Shape and Dimensions

The construction, shape and dimensions shall be as shown in **Figs. 1 to 4**.

4. Materials

The materials shall conform to **JIS G 5101-SC 42** and **JIS G 3101-SS 41** or **JIS G 3106-SM 41**.

5. Designation

Panama chocks shall be designated by the title, type and nominal size. **JIS** number may be used in place of the title.

Example: Panama Chock, Type AC 310 or **JIS F 2017 AC 310**

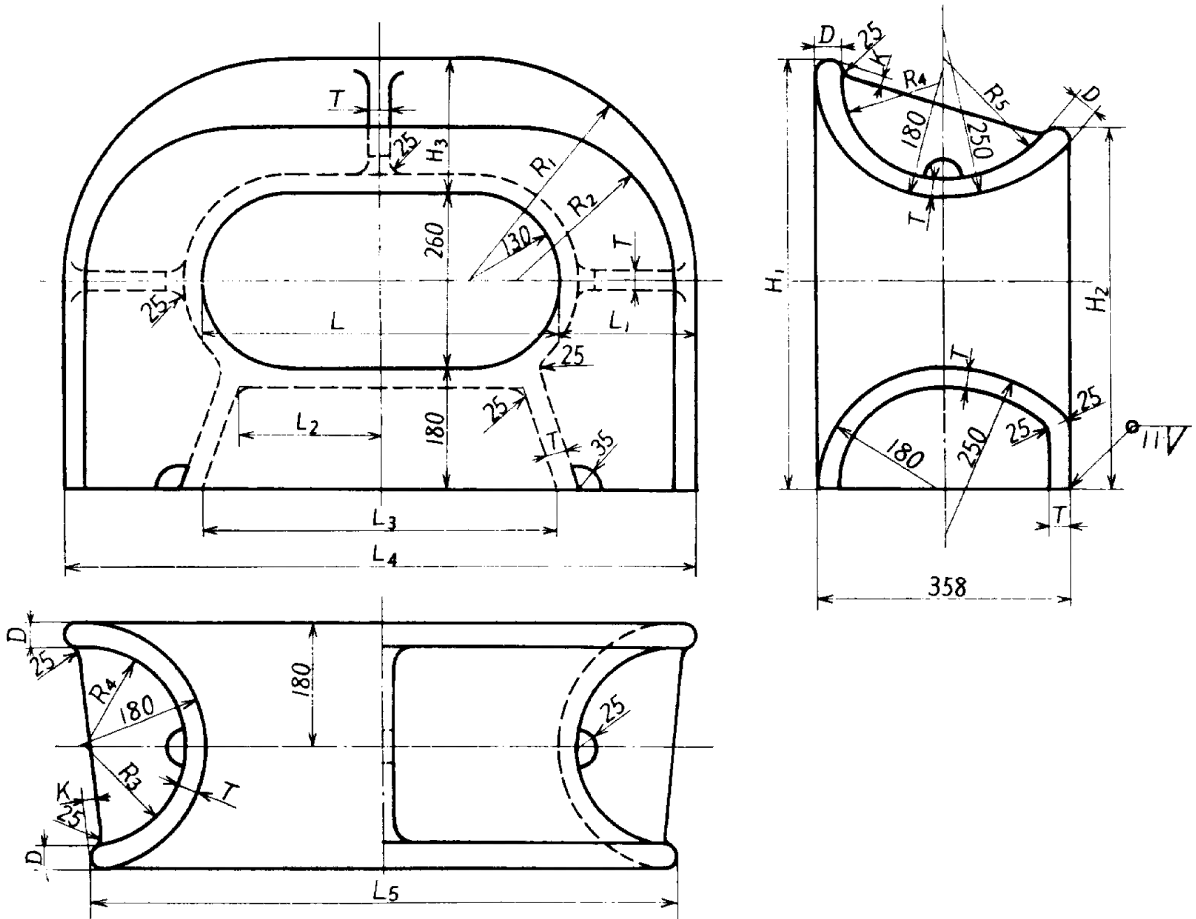
Reference Standards:

JIS G 3101 – Rolled Steel for General Structure

JIS G 3106 – Rolled Steel for Welded Structure

JIS G 5101 – Carbon Steel Castings

Unit: mm

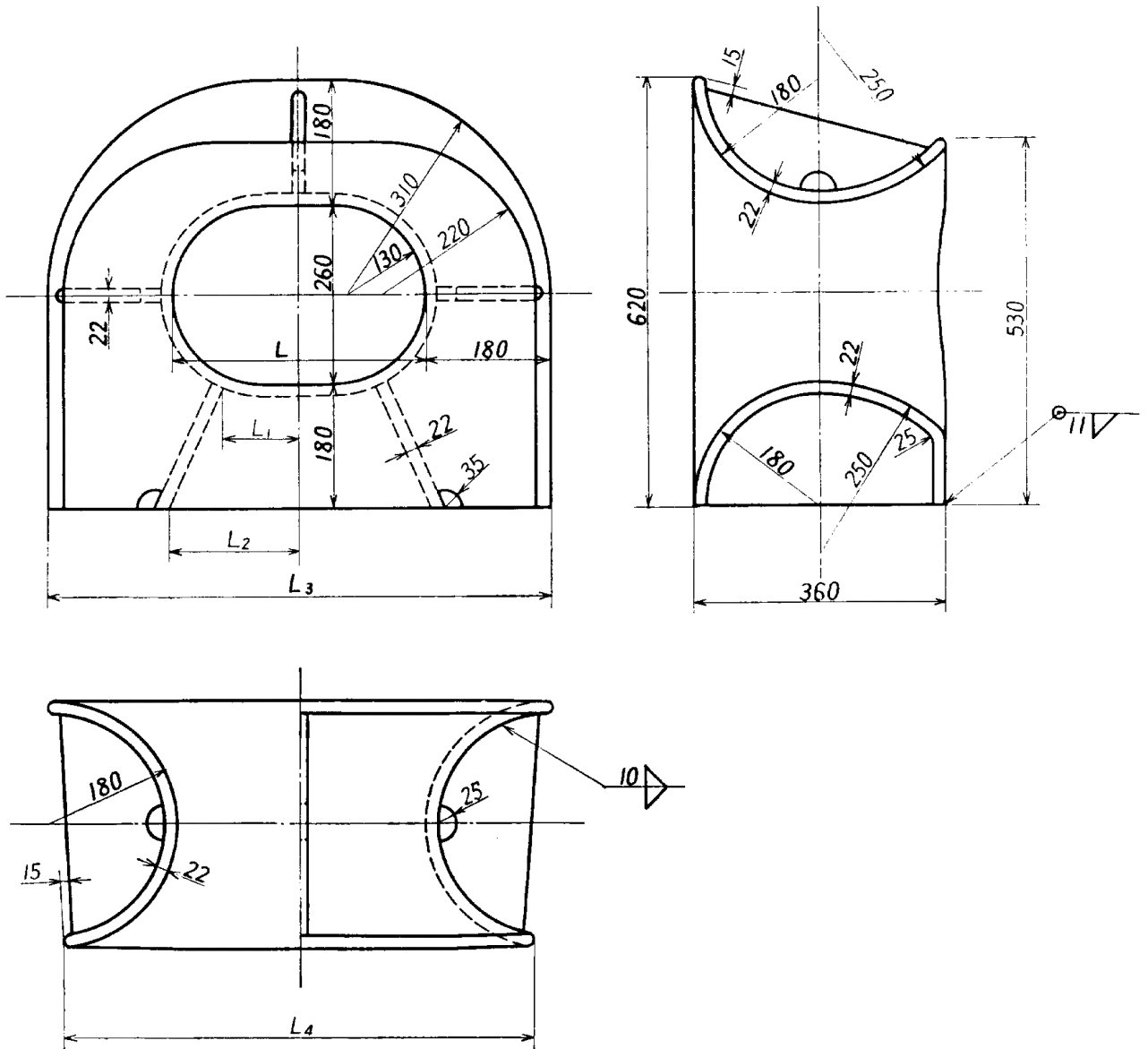


Unit: mm

Nominal size	L	L_1	L_2	L_3	L_4	L_5	D	H_1	H_2	H_3	R_1	R_2	R_3	R_4	R_5	K	T	Reference
																		Calculated mass (kg)
310	310	199	105	310	708	652	38	639	541	199	329	231	140	142	195	15	32	253
360	360	200	130	360	760	704	40	640	542	200	330	232	138	140	192	15	34	289
400	400	202	150	400	804	750	44	642	545	202	332	235	134	136	185	20	36	323
450	450	203	175	450	856	802	46	643	547	203	333	237	132	134	182	20	38	351
500	500	204	200	500	908	854	48	644	549	204	334	239	130	132	180	20	40	395

Fig. 1 Type AC

Unit: mm



Unit: mm

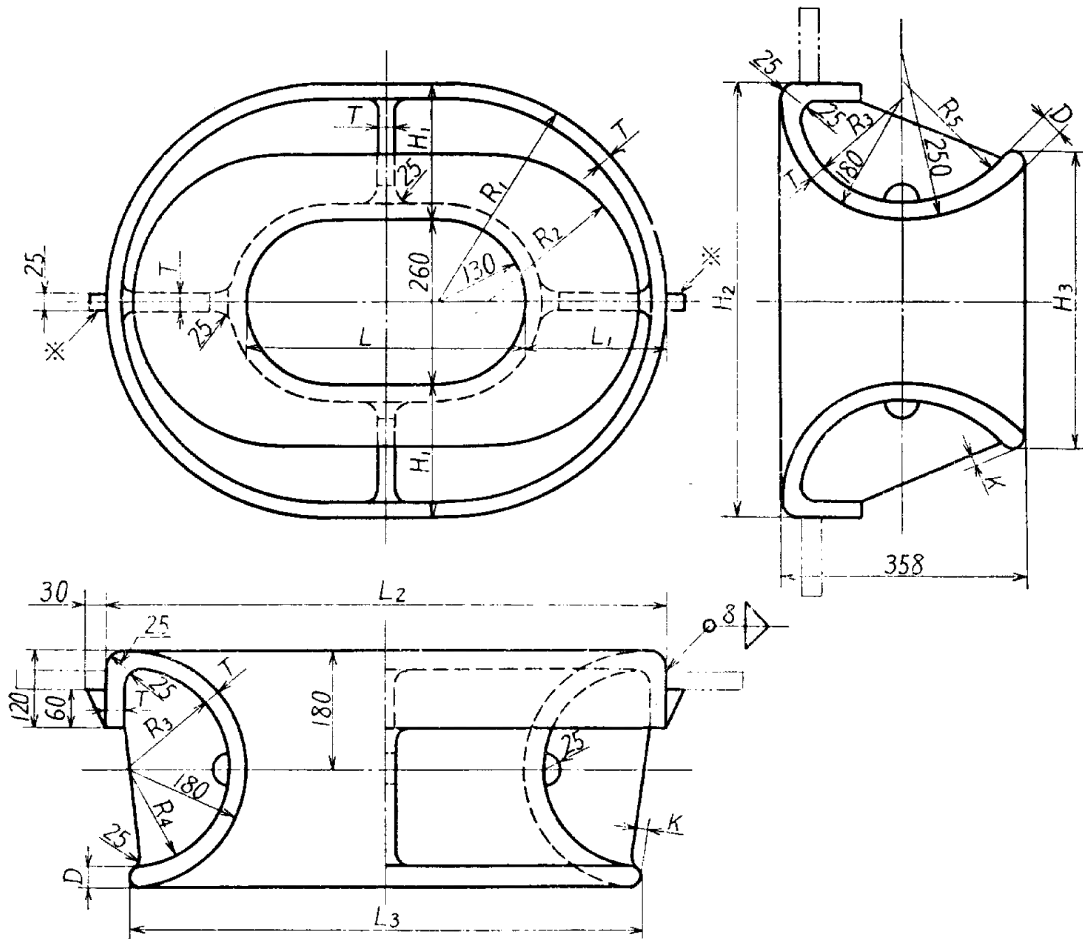
Nominal size	L	L₁	L₂	L₃	L₄	Reference
						Calculated mass (kg)
310	310	85	155	670	620	190
360	360	110	180	720	670	207

Remarks: 1. Letters in boldface show the specified dimensions, and others the reference dimensions.

2. The rib may change the position or increase the quantity if necessary.

Fig. 2 Type AP

Unit: mm



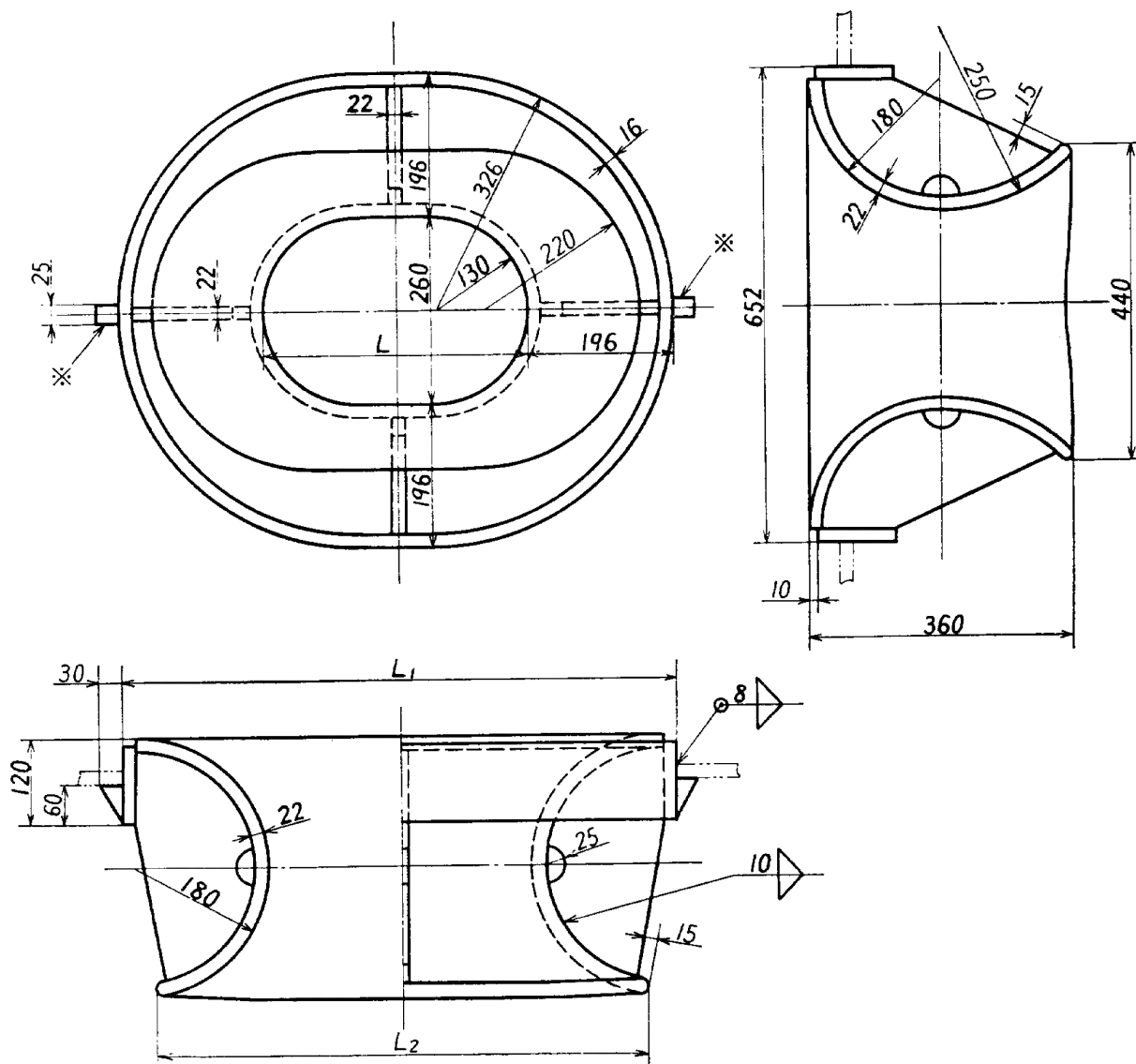
Unit: mm

Nominal size	L	L ₁	L ₂	L ₃	D	H ₁	H ₂	H ₃	R ₁	R ₂	R ₃	R ₄	R ₅	K	T	Reference
																Calculated mass (kg)
310	310	212	734	652	38	212	684	462	342	231	148	140	195	15	32	276
360	360	214	788	704	40	214	688	464	344	232	146	138	192	15	34	305
400	400	216	832	750	44	216	692	470	346	235	144	134	185	20	36	344
450	450	218	886	802	46	218	696	474	348	237	142	132	182	20	38	385
500	500	220	940	854	48	220	700	478	350	239	140	130	180	20	40	422

Remark: The stopper marked with * in this figure may not be fitted if the purchaser so wishes.

Fig. 3 Type BC

Unit: mm



Unit: mm

Nominal size	L	L_1	L_2	Reference
				Calculated mass (kg)
310	310	702	620	184
360	360	752	670	193

- Remarks:**
1. The stopper marked with * in the figure may not be fitted if the purchaser so wishes.
 2. Letters in boldface show the specified dimensions.
 3. The rib may change the position or increase the quantity if necessary.

Fig. 4 Type BP