



**BOOMARINE SUPPLIES LTD.**

# MARINE ANCHORS

Address: 1099 jingwei Avenue,  
Jiulongpo District, Chongqing, China

Email: [sales@boomarine.com](mailto:sales@boomarine.com)  
Web.: [www.boomarine.com](http://www.boomarine.com)

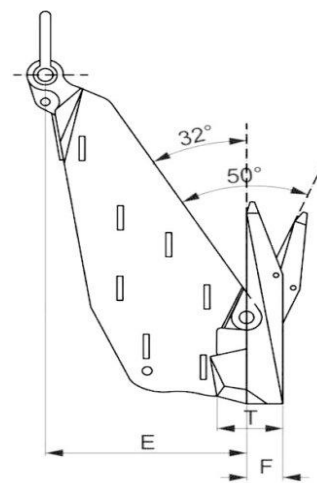
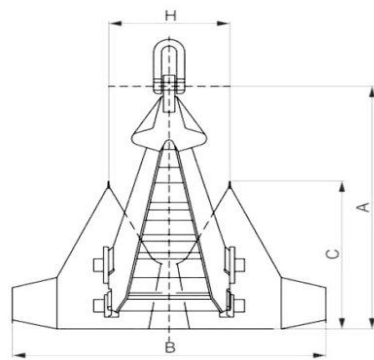
# CONTENT

HHP MK5 ANCHOR .....	1,2
HHP STINGRAY ANCHOR .....	2,3
HHP FLIPPER DELTA ANCHOR .....	4,5
HHP POOL ANCHOR TW TYPE .....	5,6,7,8
AC-14 ANCHOR.....	8,9,10
HHP DANFORTH ANCHOR .....	10,11,12
JIS STOCKLESS ANCHOR .....	12,13
HALL ANCHOR .....	14,15
SPEK TYPE ANCHOR .....	16,17
US NAVY STOCKLESS ANCHOR.....	18,19
STOCKLESS BALDT ANCHOR.....	19,20
HHP POOL ANCHOR N TYPE.....	21,22,23

## HHP MK5 ANCHORS

### FEATURES:

1. HHP MK5 Anchor has Stevpris version and Stevshark versions.
2. High Holding Power Anchor
3. Widely used for Offshore and Fishing Farm projects;
4. Type: welding stockless
5. Material: high tensile steel plate
6. Weight from 300kg to 30000kg
7. MK5/MK6 Anchor is easy to handle, install and retrieve and is used to secure semi-submersible rigs and permanent installations.
8. MK 5/MK6 Anchor does well in hard soils such as limestone, calcarenite, very dense sands, and coral.
9. Certificate: ABS, LRS, BV, DNV-GL, NK, RINA, NK, RS, etc.



Unit:mm

Nominal Weight(kg)	A	B	C	E	F	H	T
300	1828	1968	1101	927	160	757	230
500	2040	2197	1233	1035	179	845	360
1000	2580	2780	1582	1314	236	1074	430
1500	2945	3184	1812	1505	271	1230	493

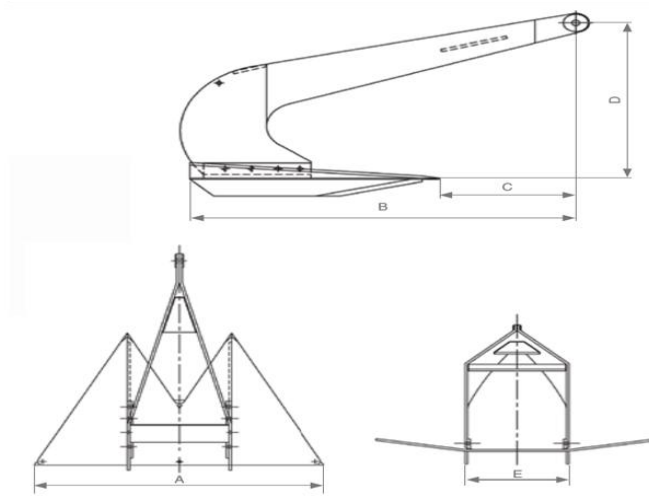
3000	3721	4011	2283	1896	342	1550	622
5000	4412	4756	2707	2248	406	1837	738
7000	4910	5290	3011	2500	453	2045	825
8000	5161	5563	3166	2629	474	2149	862
10000	5559	5992	3410	2832	511	2315	929
12000	5908	6368	3624	3010	543	2460	988
14000	6219	6704	3815	3169	572	2590	1040
15000	6364	6860	3904	3242	585	2650	1064
18000	6763	7290	4149	3446	622	2816	1131
20000	7004	7550	4297	3569	644	2917	1171
22000	7230	7794	4436	3684	665	3011	1209
25000	7545	8133	4629	3844	694	3142	1262
30000	8018	8645	4919	4085	737	3339	1341

## HHP STINGRAY ANCHOR

### FEATURES:

1. Welding stockless anchor
2. Material: high tensile steel plate
3. Applications: suitable for most sand conditions. Mostly for dredging, fish farming, and aquaculture.
4. Certificate: DNV, ABS, LRS, BV,RINA,etc.





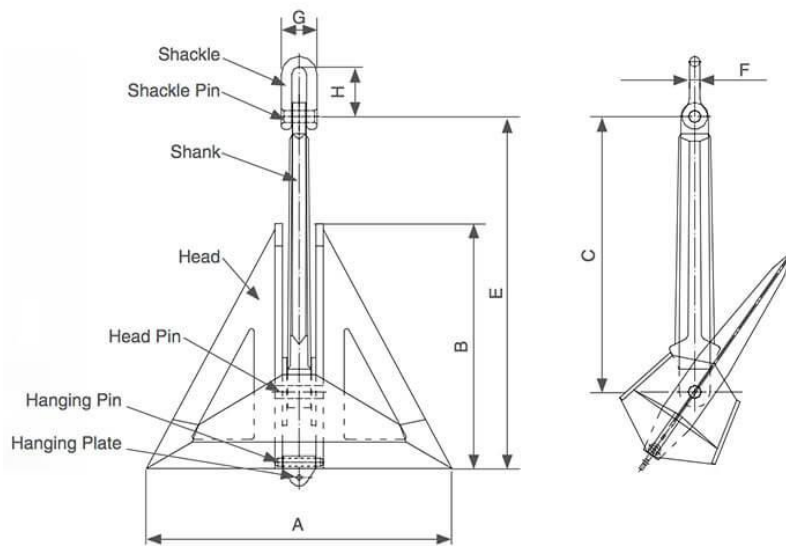
Unit: mm

Norminal Weight (kgs)	A	B	C	D	E	F
50	1013	1023	347	598	368	54
75	1060	1070	363	625	385	58
100	1171	1182	401	691	426	64
150	1258	1271	432	742	458	69
250	1515	1530	519	895	556	83
375	1748	1765	599	1031	635	96
500	2024	2045	694	1190	736	111
750	2222	2243	761	1311	808	122
1000	2491	2516	854	1470	905	136
2000	3078	3109	1055	1817	1119	168
3000	3638	3719	1312	2160	1311	197
5000	4248	4291	1456	2504	1544	232

## HHP FLIPPER DELTA ANCHOR

### FEATURES:

1. Weight: 300kgs to 30000kg
2. Adjustable Fluk / Shank angle available (35°to 50°)
3. Outstanding stability
4. Certificate: NK, LR, ABS, GL, BV, RINA,etc.



Nominal Weight(kg)	A	B	C	D	E
300	1200	960	1080	485	1380
500	1500	1200	1350	575	1725
750	1629	1303	1466	658	1873
1000	1875	1500	1613	714	2155

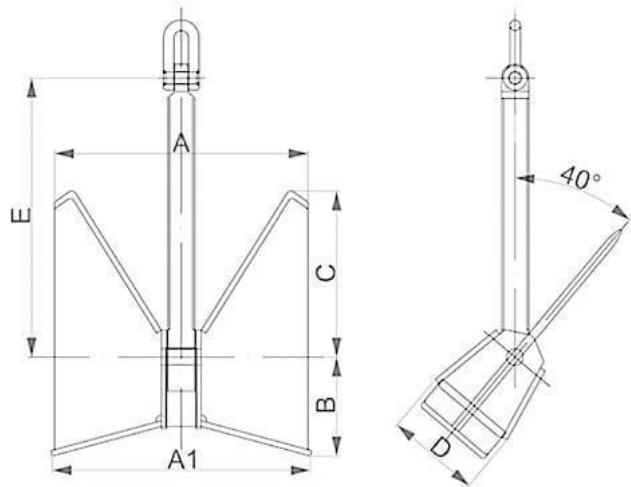
1080	1915	1530	1686	722	2200
1500	2052	1642	1847	829	2360
2000	2363	1890	2124	913	2598
2500	2433	1946	2190	983	2798
3000	2700	2160	2327	1045	2973
3500	2722	2177	2449	1100	3129
4000	2975	2380	2561	1150	3272
5000	3250	2600	2922	1238	3735
7000	3575	2860	3216	1360	4110
9000	3950	3160	3555	1504	4543
10000	4100	3280	3690	1561	4715
12000	4490	3575	4030	1695	5320
13500	4670	3720	4195	1765	5535
15000	4845	3875	4355	1830	5735
18000	5140	4080	4610	1940	6080
20000	5330	4260	4790	2010	6310
22500	5490	4360	4905	2060	6470
25000	5740	4590	5106	2165	6795
27500	5980	4785	5385	2245	7095

## HHP POOL ANCHOR TW TYPE

### FEATURES:

1. High Holding Power Anchor
2. Material: ZG230-45CH, Q345C, Stainless Steel 316L with mirror-polished
3. Finishing: black painting, hot dip galvanized
4. Weight: 50kgs - 45000kgs
5. Certificate: LR, ABS, DNV-GL, KR, NK,etc





FULL BALANCED TYPE						
Normal Weight(kg)	A	A1	B	C	D	E
80	600	610	225	400	222	685
90	615	624	240	400	226	670
105	640	650	250	422	240	705
125	686	697	267	447	254	750
135	705	716	274	459	261	773
145	720	730	280	470	266	788
160	746	758	290	486	276	818
180	770	787	301	505	287	850
225	836	848	325	544	309	915
270	888	902	342	573	326	965
300	920	933	357	598	340	1008
360	978	993	380	637	362	1072
400	996	1010	386	648	374	1090
450	1038	1053	403	675	390	1137
495	1086	1103	422	707	402	1190
565	1136	1153	425	740	420	1245
585	1160	1180	450	755	428	1270
675	1205	1224	468	785	446	1322
765	1257	1276	488	818	465	1378
855	1286	1306	500	841	482	1411
1000	1360	1380	528	885	503	1480
1080	1400	1420	542	915	520	1530
1130	1410	1430	547	917	521	1544
1195	1458	1479	566	949	540	1597



1305	1486	1509	579	973	556	1634
1440	1535	1560	596	1001	578	1683
1575	1584	1608	615	1032	596	1735
1710	1628	1651	632	1060	612	1782
1845	1670	1695	648	1087	628	1828
1980	1704	1731	667	1119	638	1880
2140	1754	1768	676	1135	655	1908
2295	1795	1822	697	1169	675	1966
2475	1841	1868	715	1199	692	2016
2665	1886	1912	732	1228	708	2064
2750	1907	1930	738	1238	715	2082
2835	1926	1955	748	1255	725	2110
3000	1972	2002	765	1285	742	2160
3240	2014	2044	782	1311	757	2205
3445	2056	2087	798	1340	774	2258
3690	2100	2130	815	1367	790	2298
UNBALANCED TYPE						
Normal Weight(kg)	A	A1	B	C	D	E
80	600	610	225	400	222	685
90	615	624	240	400	226	670
105	640	650	250	422	240	705
125	686	697	267	447	254	750
135	705	716	274	459	261	773
145	720	730	280	470	266	788
160	746	758	290	486	276	818
180	770	787	301	505	287	850
225	836	848	325	544	309	915
270	888	902	342	573	326	965
300	920	933	357	598	340	1008
360	978	993	380	637	362	1072
400	996	1010	386	648	374	1090
450	1038	1053	403	675	390	1137
495	1086	1103	422	707	402	1190
565	1136	1153	425	740	420	1245
585	1160	1180	450	755	428	1270
675	1205	1224	468	785	446	1322
765	1257	1276	488	818	465	1378
855	1286	1306	500	841	482	1411
1000	1360	1380	528	885	503	1480

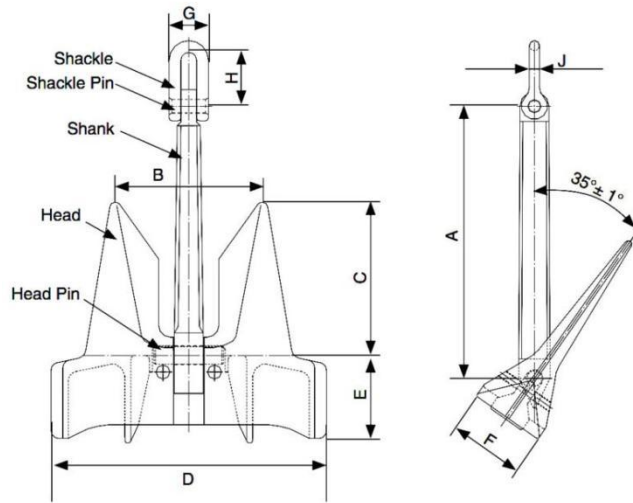
1080	1400	1420	542	915	520	1530
1130	1410	1430	547	917	521	1544
1195	1458	1479	566	949	540	1597
1305	1486	1509	579	973	556	1634
1440	1535	1560	596	1001	578	1683
1575	1584	1608	615	1032	596	1735
1710	1628	1651	632	1060	612	1782
1845	1670	1695	648	1087	628	1828
1980	1704	1731	667	1119	638	1880
2140	1754	1768	676	1135	655	1908
2295	1795	1822	697	1169	675	1966
2475	1841	1868	715	1199	692	2016
2665	1886	1912	732	1228	708	2064
2750	1907	1930	738	1238	715	2082
2835	1926	1955	748	1255	725	2110
3000	1972	2002	765	1285	742	2160
3240	2014	2044	782	1311	757	2205
3445	2056	2087	798	1340	774	2258
3690	2100	2130	815	1367	790	2298

## AC-14 ANCHOR

### FEATURES

1. HHP AC-14 anchor is a typical type of bower anchors.
2. High Holding Power anchor
3. Material: ZG200-400
4. Nominal Weight: 56kgs to 20000kgs
5. Finishing: black painting or hot dip galvanized
6. Optional Material: Stainless steel
7. Certificate: DNV-GL, BV, ABS, LRS, RINA, IRS, RS, CCS, KR, NK





Nominal Weight(kg)	A	B	C	D	E	F
56	612	555	170	376	113	298
100	745	675	200	458	135	364
135	745	675	205	458	135	364
180	909	822	252	558	166	442
250	1010	915	227	623	185	495
300	1075	975	298	660	200	525
360	1120	1015	313	690	205	548
428	1213	1098	336	745	222	590
495	1255	1135	348	770	230	610
590	1350	1220	375	829	246	658
675	1412	1278	390	868	257	690
750	1450	1330	878	1410	256	396
910	1560	1410	957	1415	273	430
970	1592	1445	978	1445	284	440
1060	1650	1490	1014	1495	294	455
1305	1760	1590	1082	1595	313	485
1440	1818	1645	1118	1645	324	505
1710	1925	1745	1184	1745	343	532
1845	1975	1785	1215	1785	347	546
2100	2065	1865	1268	1865	354	570
2475	2175	1970	1340	1970	385	602

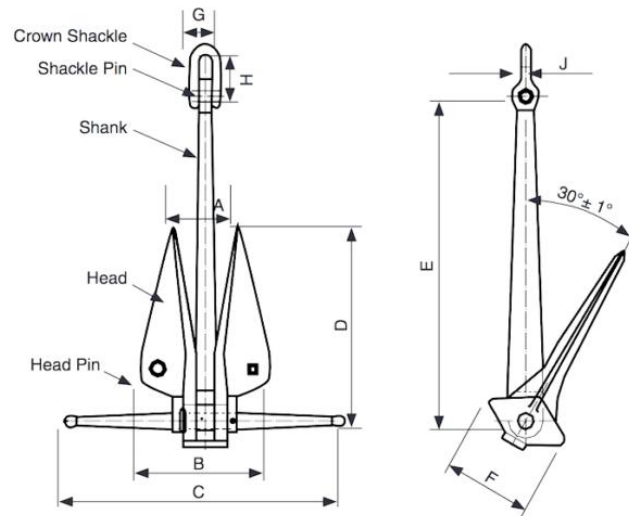
2835	2265	2055	1393	2055	399	625
3550	2455	2225	1508	2225	438	680
3940	2540	2300	1562	2300	453	705
4500	2655	2405	1632	2405	473	735
4840	2720	2465	1670	2465	490	755
5610	2785	2520	1758	2590	509	790
6000	2922	2646	1796	2646	515	810
6900	3062	2775	1884	2775	545	848
7800	3190	2890	1962	2890	569	884
8300	3256	2950	2002	2950	574	902
11100	3589	3252	2166	3192	628	976
11700	3650	3308	2245	3308	648	1010
12300	3712	3364	2260	3330	655	1018
16800	4128	3740	2538	3740	721	1144
17800	4200	3806	2583	3806	725	1162
20000	4366	3956	2694	3945	729	1185
30000	4400	3989	3218	4730	898	1440

## HHP DANFORTH ANCHOR

### FEATURES

1. Anchor weight: 20kgs to 25000kgs
2. Material: Q235, stainless steel 316L as an option;
3. Finishing: black painting, hot dip galvanized
4. Mostly used on small boats.
5. It is best used in sand and mud
6. Certificate: DNV, ABS, LRS, BV,LR, etc.





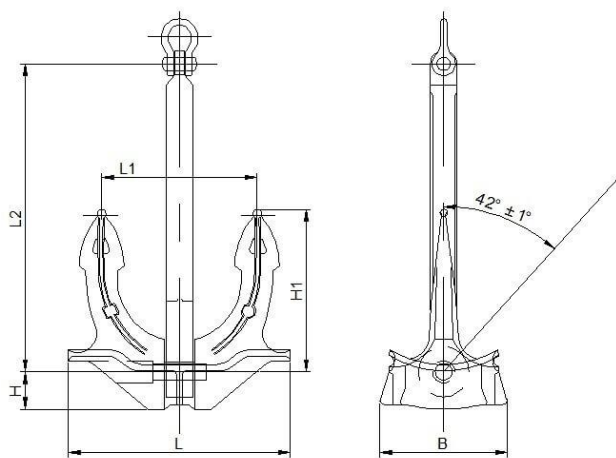
Nominal Weight(kg)	A	B	C	D	E	F
20	130	280	540	370	690	170
25	135	300	580	400	740	185
30	148	330	620	430	790	200
40	160	360	680	470	860	230
50	172	390	720	510	940	235
60	186	408	755	535	985	240
75	200	450	830	590	1080	260
100	216	490	930	640	1180	290
120	220	505	970	670	1230	300
125	234	520	1000	690	1270	310
150	242	550	1060	732	1348	330
200	266	600	1150	810	1490	360
250	294	650	1240	870	1600	390
276	296	660	1250	885	1620	400
300	312	690	1320	925	1700	420
400	342	750	1460	1010	1810	460
750	414	910	1800	1260	2300	560
1250	484	1070	2100	1490	2740	670
1500	512	1120	2200	1580	2850	700
2500	605	1217	2628	1864	3070	830
3000	640	1290	2790	1980	3330	880
4000	700	1420	3070	2170	3590	970
5000	735	1482	3200	2270	3840	1020

6000	800	1620	3500	2480	4100	1100
7000	840	1696	3850	2590	4180	1150
8500	910	1936	3940	2600	4490	1240
10000	940	2000	4150	2900	4640	1280
20000	1190	2350	5175	3695	5880	1635
25000	1280	2530	5570	3982	6330	1760

### JIS STOCKLESS ANCHOR

#### FEATURES:

1. Stockless Anchor
2. Material: ZG200-400 casting steel
3. Weight: 100kg to 46000kgs
4. Finishing: black painting, hot dip galvanized
5. Certificate: DNV-GL, ABS, LRS, BV, KR, NK, RS, IRS, RINA, CCS
6. Commonly used in commercial vessels and recreational craft.
7. With stockless design, it fits the anchor pocket perfectly.



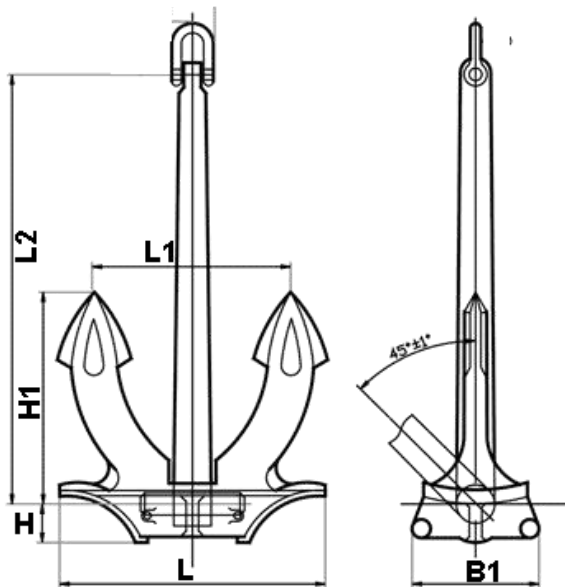
Nominal Weight(kg)	L	L1	L2	H	H1	B
100	540	378	750	91	395	230

125	580	405	810	97	425	248
150	612	432	855	104	452	264
180	650	459	910	111	480	280
240	720	510	1010	122	530	310
280	760	534	1060	130	560	325
300	770	540	1080	131	570	331
320	790	560	1100	132	580	338
360	820	580	1150	139	610	353
420	860	610	1200	146	640	370
480	900	640	1260	153	670	387
570	950	670	1330	162	700	408
660	660	710	1440	170	740	430
780	1060	750	1480	180	780	456
900	1110	780	1550	189	820	477
1020	1160	820	1620	197	860	500
1140	1200	850	1680	204	890	520
1290	1250	880	1750	212	920	540
1440	1300	920	1820	221	960	560
1590	1340	950	1880	228	990	580
1740	1380	980	1930	235	1020	600
1920	1430	1010	2000	243	1060	620
2100	1470	1040	2060	250	1090	640
2280	1510	1070	2110	257	1120	650
2460	1550	1100	2170	264	1150	670
2640	1590	1120	2230	270	1180	690
2850	1630	1150	2280	277	1210	700
3060	1670	1180	2340	284	1214	720
3780	1790	1260	2510	304	1320	770
4890	1950	1380	2730	332	1440	840
5610	2040	1440	2860	347	1510	880
8700	2380	1670	3320	403	1750	1020
15400	2860	2020	4000	486	2110	1230
29000	3530	2490	4840	600	2610	1520
38500	3880	2740	5430	660	2860	1670
46000	4120	2910	5770	700	3040	1770

## Hall Anchor

### FEATURES:

1. A typical type of a Stockless Bow Anchor.
2. Standard stockless cast steel ship's anchor
3. Weight: 40kg to 46000kg;
4. Material: ZG200-400;
5. Finishing: black tarred painting, hot dip galvanized;
6. Widely used in commercial shipping industry;
7. The traditional design makes a stable working performance.



Unit:mm

Nominal Weight(kg)	L	L1	L2	H	H1	B1
40	430	303	557	67	303	198
60	492	347	637	76	347	227
100	540	378	750	91	395	230
125	580	405	810	97	425	248

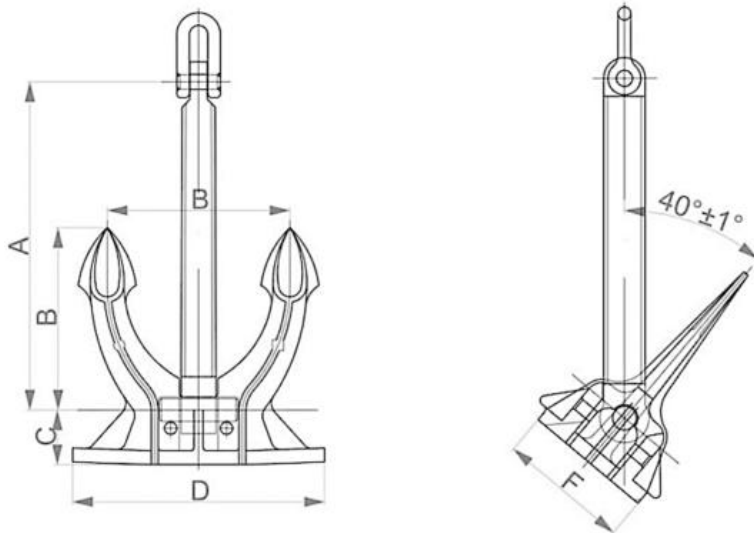


150	612	432	855	104	452	264
180	650	459	910	111	480	280
240	720	510	1010	122	530	310
280	760	534	1060	130	560	325
300	770	540	1080	131	570	331
320	790	560	1100	132	580	338
360	820	580	1150	139	610	353
420	860	610	1200	146	640	370
480	900	640	1260	153	670	387
570	1042	732	1355	161	732	481
660	1096	769	1422	169	769	506
780	1170	820	1506	180	820	540
900	1220	855	1580	188	855	560
1020	1260	885	1645	194	885	580
1140	1319	916	1705	206	926	605
1290	1378	965	1778	211	965	630
2100	1651	1120	2093	245	1120	732
2850	1890	1253	2318	271	1253	822
3540	2032	1345	2480	294	1345	880
4320	2171	1435	2695	316	1435	943
4890	2263	1498	2769	329	1498	984
5000	2317	1510	2800	332	1510	992
6450	2340	1644	3037	361	1644	1080
7800	2493	1750	3235	385	1750	1152
8500	2565	1800	3355	395	1800	1184
10500	2752	1934	3571	425	1934	1273
12900	2947	2072	3824	455	2072	1363
13500	2992	2104	3882	462	2104	1384
14700	3078	2165	3994	476	2165	1424
16900	3225	2268	4184	498	2268	1492
23000	3573	2514	4631	551	2514	1654
35500	4132	2903	5363	637	2903	1906
46000	4505	3165	5847	695	3165	2078

## Spek Anchor

### FEATURES:

1. Casting Stockless Anchor
2. Anchor weight: 40kg to 26000kg
3. Suitable for anchor chains Diameter 12.5mm – 162mm
4. Material: ZG200-400 cast steel
5. Finishing: black painting, hot dip galvanized
6. The anchor claw is easy to turn to the ground and then has better stability;
7. Smart design makes it a perfect fit for the anchor pocket;
8. Anchor flukes will keep naturally upwards and overturn immediately when touching the hull plate to avoid damaging the shell plating



UNIT: mm

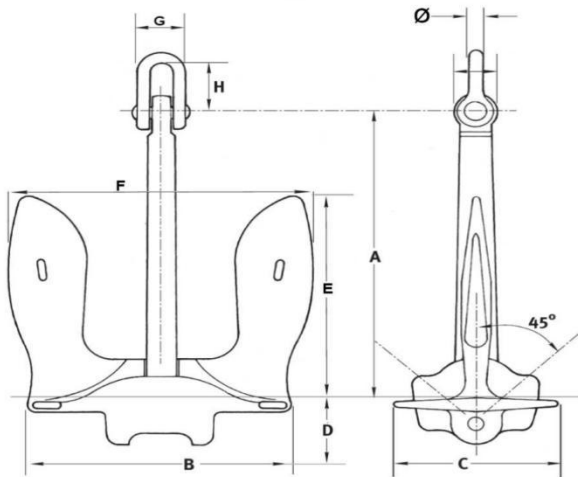
Nominal Weight(kg)	A	B	C	D	F
100	672	373	112	515	250
150	770	428	128	590	290
180	846	470	140	640	300

240	900	500	150	690	350
300	990	550	166	760	398
360	1065	600	180	828	411
420	1080	600	180	828	431
500	1170	650	196	900	450
570	1170	650	196	900	475
660	1260	700	210	962	486
780	1355	750	225	1032	519
900	1440	800	240	1100	547
1020	1530	850	252	1170	573
1140	1620	900	268	1240	591
1290	1710	900	268	1240	620
1440	1710	950	279	1300	640
1590	1710	950	279	1300	671
2100	1890	1050	312	1454	717
2280	2010	1050	312	1454	736
2850	2070	1150	352	1584	804
3060	2160	1200	360	1650	820
3780	2430	1350	393	1850	880
4320	2520	1400	413	1926	917
5250	2610	1450	414	2000	964
6900	2790	1550	456	2138	1034
7800	2920	1550	456	2138	1091
8700	3060	1700	510	2332	1156
9900	3160	1700	510	2332	1188
14100	3440	1910	573	2632	1353
18800	3950	2190	657	3018	1461
20000	4070	2190	657	3018	1493
26000	4250	2360	716	3256	1618

## US Navy Stockless Anchor

### FEATURES:

1. Stockless Anchor
2. Material: cast steel ZG200-400
3. Finishing: black tarred painting, hot dip galvanized
4. Certificate: DNV-GL, ABS, LRS, BV, KR, NK, RS, IRS, RINA, CCS



UNIT: mm

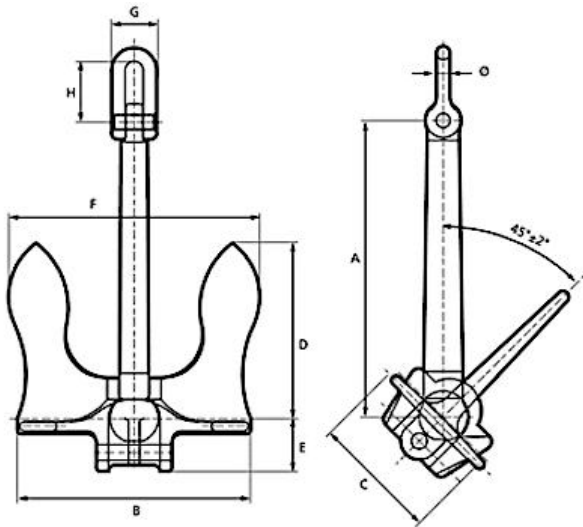
Nominal Weight(kg)	A	B	C	D	E	F	H	φ
136	726	562	384	124	518	635	130	28
180	799	619	383	137	569	698	145	32
227	861	668	412	148	614	753	160	36
363	1007	781	482	172	718	880	192	45
998	1411	1094	676	242	1006	1234	183	255
1590	1648	1279	790	282	1176	1441	310	68
1814	1723	1335	826	295	1228	1506	310	68
2268	1865	1439	889	318	1323	1632	340	74
2721	1972	1529	945	338	1406	1724	360	82
4082	2258	1751	1082	386	1610	1974	410	90

6000	2567	1991	1230	440	1831	2245	450	100
6804	2674	2075	1283	458	1908	2340	480	110
9072	2946	2285	1412	505	2101	2567	580	124
12000	3224	2500	1545	552	2299	2819	620	135
15876	3550	2752	1701	608	2531	3104	498	150

### Stockless Baldt Anchor

#### FEATURES:

1. Stockless Anchor
2. Material: ZG200-400 casting steel
3. Finishing: black tarred painting, hot dip galvanized
4. Certificate: DNV-GL, ABS, LRS, BV, KR, NK, RS, IRS, RINA, CCS



UNIT: mm

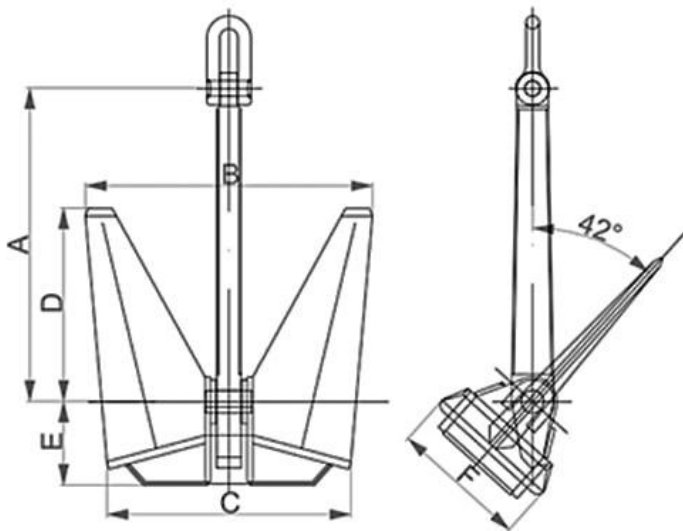
Nominal Weight(kg)	A	B	C	D	E	F	H	∅
90	649	512	280	115	384	551	115	24
113	687	544	296	121	407	585	130	28
140	738	583	319	131	437	627	130	28
160	769	609	331	135	455	654	145	32

180	816	644	353	145	483	693	145	32
230	858	677	371	153	508	729	160	36
284	932	738	402	164	552	794	175	36
340	971	766	420	173	575	825	175	40
454	1078	850	466	192	638	916	215	40
550	1183	933	511	210	700	1005	215	48
680	1262	995	545	224	747	1082	235	48
794	1428	1126	617	254	845	1213	235	50
900	1460	1157	631	260	864	1240	255	50
1020	1477	1165	638	263	874	1254	255	50
1134	1492	1177	645	265	883	1267	280	50
1360	1544	1218	667	275	914	1312	280	62
1590	1641	1294	709	292	971	1393	310	62
1740	1673	1320	723	297	990	1421	310	68
1910	1794	1380	755	311	1035	1485	310	68
2041	1803	1422	779	321	1067	1531	340	74
2270	1857	1465	802	330	1099	1577	340	74
2495	1909	1508	825	340	1130	1622	340	74
2721	2017	1592	872	359	1194	1713	360	82
2948	2044	1613	883	364	1210	2092	360	82
3175	2092	1650	904	372	1238	1776	360	82
3670	2152	1698	930	383	1274	1828	385	90
4536	2254	1778	974	401	1334	1914	410	90
5216	2321	1832	1003	413	1374	1972	450	100
5670	2423	1912	1046	431	1434	2058	450	100
6804	2681	2115	1159	477	1587	2277	480	110
7484	2735	2158	1182	486	1619	2323	500	110
7800	2743	2242	1226	486	1667	2516	500	110
9072	3090	2438	1335	550	1829	2626	580	124
9640	3149	2485	1361	560	1864	2675	580	124
10206	3208	2531	1386	571	1899	2725	600	130
18140	3847	3035	1662	684	2277	3267	730	160

## HHP POOL ANCHOR N TYPE

### FEATURES:

1. High Holding Power Anchor
2. Material: ZG230-45CH, Q345C, stainless steel 316L
3. Weight: 50kg to 20000kg
4. Finishing: black painting, hot dip galvanized
5. Certificate: BV, ABS, DNV, GL, LRS, RINA, RS, IRS, CCS, KR, NK
6. The fully balanced type anchor will always have its flukes in vertical position while lifting the anchor.
7. The unbalanced type anchor will tip over to one side.



Unit: mm

Nominal Weight(kg)	A	B	C	D	E	F
60	590	555	470	364	157	270
80	664	605	515	410	176	295
100	712	655	555	440	190	320
160	835	765	650	516	223	370
200	885	825	700	546	236	400

280	1008	925	780	622	269	450
360	1096	1005	855	677	292	490
480	1186	1105	940	728	314	535
600	1300	1190	1010	802	347	580
765	1410	1290	1096	870	375	610
1000	1526	1395	1185	942	404	660
1080	1580	1446	1230	975	421	685
1195	1636	1485	1270	1010	436	708
1305	1680	1541	1308	1037	448	730
1440	1738	1592	1352	1073	464	754
1575	1769	1640	1386	1092	472	777
1710	1840	1686	1455	1137	491	798
1845	1890	1729	1469	1168	504	819
1980	1935	1770	1504	1195	516	836
2140	1986	1816	1543	1226	530	860
2295	2030	1860	1580	1254	540	880
2655	2140	1954	1684	1322	566	926
2835	2188	1996	1700	1351	580	945
3000	2238	2042	1736	1382	592	968
3240	2287	2086	1773	1412	605	988
3940	2442	2226	1892	1508	646	1055
4500	2553	2328	1976	1567	675	1103
5175	2675	2439	2072	1651	708	1155
5515	2730	2491	2116	1686	722	1180
5850	2786	2541	2159	1720	737	1204
6225	2838	2594	2204	1750	756	1229
6525	2880	2635	2239	1780	768	1248
6975	2948	2695	2290	1820	786	1276
7425	3010	2760	2338	1858	802	1303
7875	3069	2805	2384	1895	818	1329
8775	3180	2908	2471	1964	848	1376
9225	3235	2968	2512	1997	862	1401
9675	3286	3004	2553	2029	876	1423



10125	3337	3060	2592	2060	890	1445
10575	3386	3095	2630	2090	902	1468
12075	3538	3236	2748	2184	943	1533
12675	3596	3288	2794	2220	958	1556
13350	3658	3346	2842	2258	975	1585
14100	3726	3406	2894	2300	993	1614
15000	3804	3476	2954	2348	1014	1646
17250	3985	3643	3095	2460	1062	1726
20825	4240	3887	3285	2618	1130	1832
24750	4495	4109	3491	2775	1198	1947
28875	4717	4324	3675	2912	1258	2049