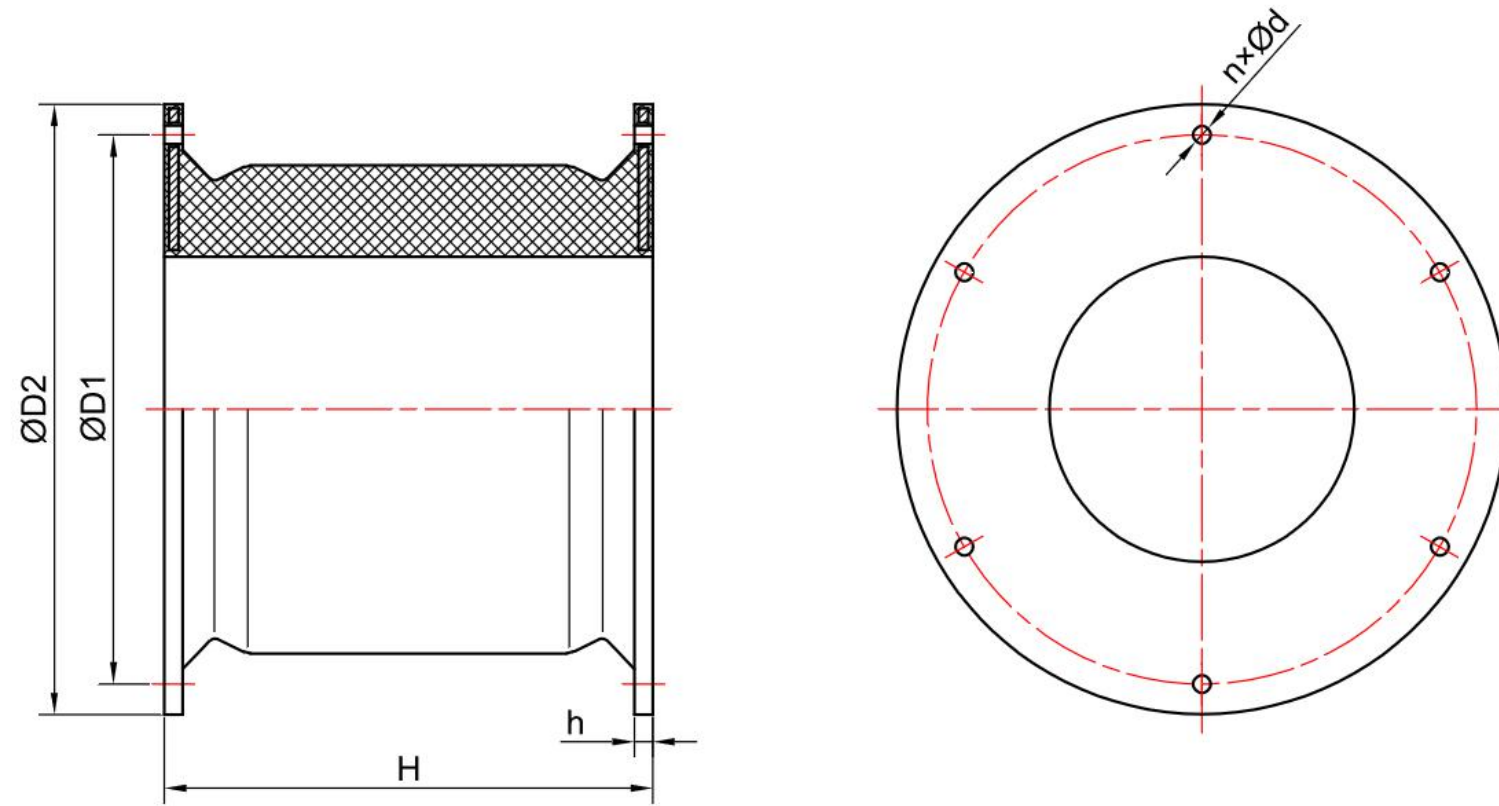


SUPER CELL FENDERS

Features:

1. Cell fender raised design compression 5%, thus maintain the reaction force while increase energy absorption value about 15%
2. The frontal panel can greatly reduce the hull pressure which makes it especially proper for berthing of large vessel





Dimensions: (mm)

Type(mm)	H	h	D1	D2	n-Ød
SC400H	400	25	550	650	4-30
SC500H	500	25	550	650	4-32
SC630H	630	30	700	840	4-39
SC800H	800	30	900	1050	6-40
SC1000H	1000	35	1100	1300	6-47
SC1150H	1150	40	1300	1500	6-50
SC1250H	1250	45	1450	1650	6-53

SC1450H	1450	47	1650	1850	6-61
SC1600H	1600	50	1800	2000	8-61
SC1700H	1700	55	1900	2100	8-66
SC2000H	2000	55	2000	2200	8-74
SC2250H	2250	60	2300	2550	10-74
SC2500H	2500	70	2700	2950	10-74
SC3000H	3000	75	3150	3350	12-90

Performance Data:

R/F: KN E/A:KN-m	RL		RO		RH		RS		RE		
	Rated deflection 52.5%	Max deflection 55%	Rated deflection 52.5%	Max deflection 55%	Rated deflection 52.5%	Max deflection 55%	Rated deflection 52.5%	Max deflection 55%	Rated deflection 52.5%	Max deflection 55%	
SC400H	R	51	59	64	75	83	97	96	112	110	125
	E	9	9.5	11	12	14	15	17	18	19	21
SC500H	R	86	99	108	125	140	160	162	187	182	210
	E	18	19	23	25	30	32	36	38	40	43
SC630H	R	138	147	172	182	224	237	258	274	290	309
	E	38	40	48	50	62	67	72	76	80	85
SC800H	R	211	225	275	292	355	378	412	437	464	493
	E	75	78	98	102	125	132	145	153	163	173
SC1000H	R	349	372	436	463	567	603	655	696	737	784
	E	153	163	195	203	249	264	287	304	324	343
SC1150H	R	462	491	578	614	750	798	865	920	975	1037
	E	233	247	297	309	379	401	437	463	492	521
SC1250H	R	546	581	682	725	886	942	1022	1087	1153	1225

	E	299	316	382	396	486	516	561	594	632	669
SC1450H	R	735	781	918	976	1193	1269	1376	1464	1551	1649
	E	468	495	596	619	760	804	876	928	987	1045
SC1600H	R	894	950	1117	1189	1453	1544	1676	1781	1888	2007
	E	628	665	801	832	1020	1080	1177	1247	1326	1405
SC1700H	R	1009	1073	1262	1342	1640	1743	1892	2012	2131	2266
	E	753	798	960	997	1224	1300	1413	1495	1591	1685
SC2000H	R	1398	1485	1746	1856	2270	2413	2619	2783	2941	3136
	E	1227	1299	1564	1624	1994	2111	2300	2435	2591	2743
SC2250H	R	2085	2216	2454	2607	3188	3390	3679	3911	4145	4406
	E	2060	2180	2472	2566	3150	3336	3628	3848	4095	4337
SC2500H	R	2574	2737	3028	3220	3937	4182	4543	4829	5118	5441
	E	2826	2992	3391	3520	4322	4576	4987	5280	5318	5949
SC3000H	R	3751	4301	4400	5201	5801	6751	-	-	-	-
	E	4995	5297	5790	6149	7605	7671	-	-	-	-

Notes:

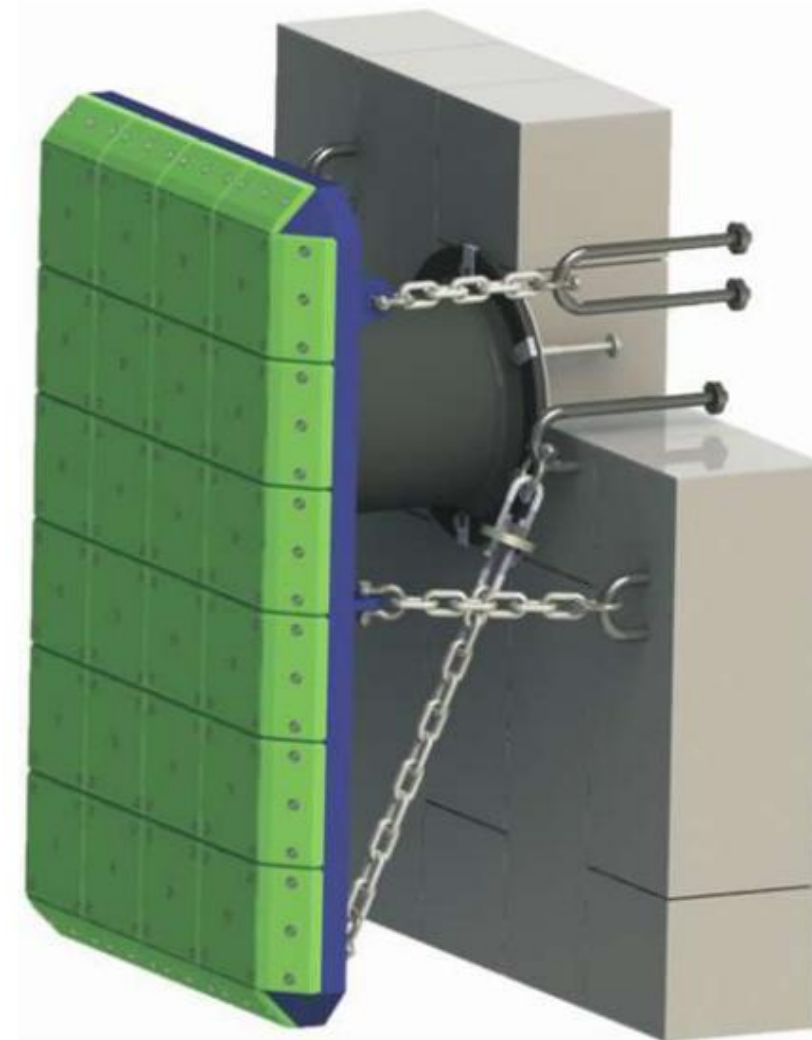
1. Performance tolerance: $\pm 10\%$
2. Other performance is available to meet customers' request
3. RE- Extreme high reaction force; RS-Super high reaction force; RH-High reaction force; RO- Standard reaction force; RL - Low reaction force
4. R- Reaction Force; E- Energy absorption

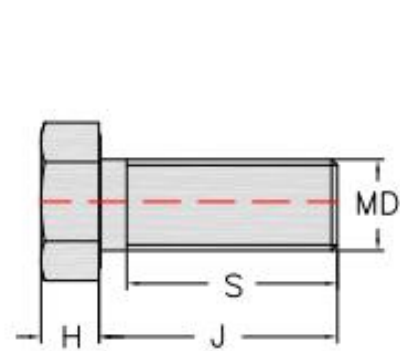
Fender Assembly and Accessories

A super cell rubber fender system including rubber fender, steel frontal panel, Face pad, anchoring system, nuts, U anchor, washer, and chains, etc.

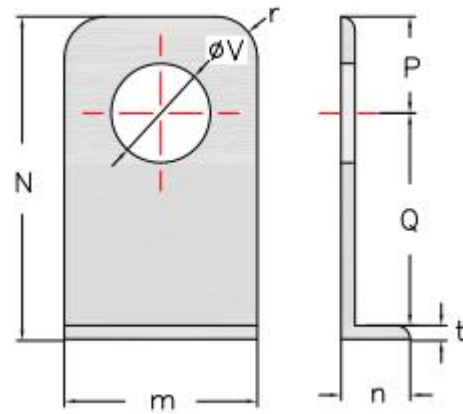


ANCHORS

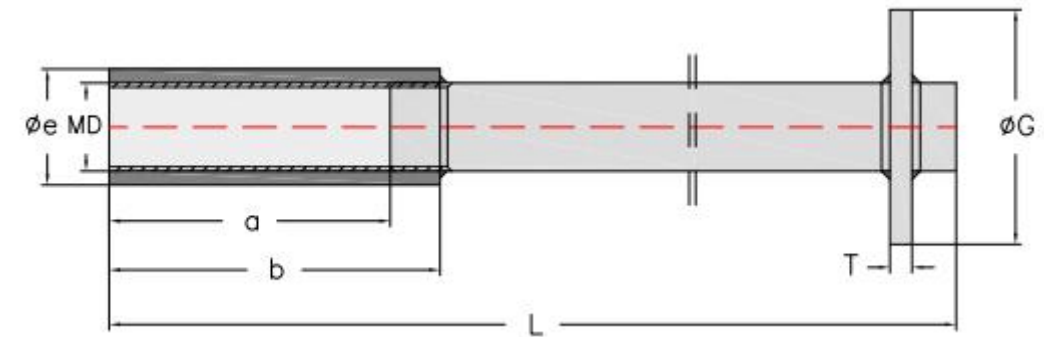




Bolt



Washer

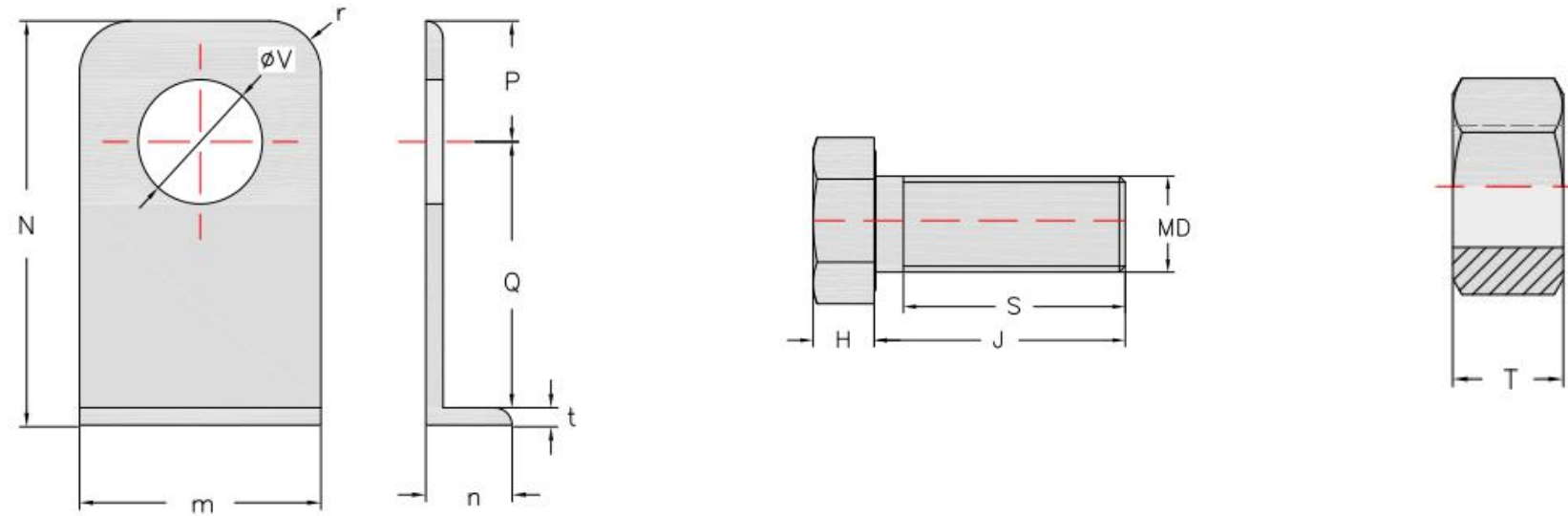


Anchor

Unit: mm

Specification	Bolt				Washer								Anchors						
	MD	H	J	S	m	n	N	P	Q	t	V	r	MD	a	b	e	T	L	G
SC500H	M24	17	70	55	60	22	83	25	53	5	28	15	M24	75	100	36	6-10	300	75
SC630H	M30	19	75	60	65	20	110	33	72	5	34	15	M30	75	105	38	8-12	330	85
SC800H	M33	23	85	70	70	25	117	35	77	5	36	15	M33	85	120	42	8-12	360	85
SC1000H	M39	26	95	75	80	26	148	40	102	6	43	25	M39	85	125	49	8-12	430	95
SC1150H	M42	26	100	80	85	28	151	43	102	6	46	25	M42	85	125	55	12-16	500	105
SC1250H	M45	30	110	90	90	31	153	45	102	6	49	30	M45	95	140	59	12-16	500	125
SC1450H	M52	35	120	95	100	31	158	50	102	6	56	30	M52	100	150	69	12-16	570	135
SC1600H	M52	35	120	95	100	34	158	50	102	6	56	30	M52	100	150	69	12-16	570	140
SC1700H	M56	35	135	110	110	40	165	55	102	8	63	30	M56	105	165	75	16-20	620	140
SC2000H	M64	40	150	116	116	38	165	58	102	8	70	40	M64	125	190	79	16-20	700	150
SC2250H	M64	40	150	120	120	43	195	60	127	8	70	40	M64	125	190	79	16-20	700	150
SC2500H	M64	40	170	125	125	50	202	65	127	10	70	50	M64	125	190	79	16-20	700	175
SC3000H	M76	50	190	140	140	55	207	70	102	10	84	50	M76	135	210	95	20-24	800	175

Connection Accessories

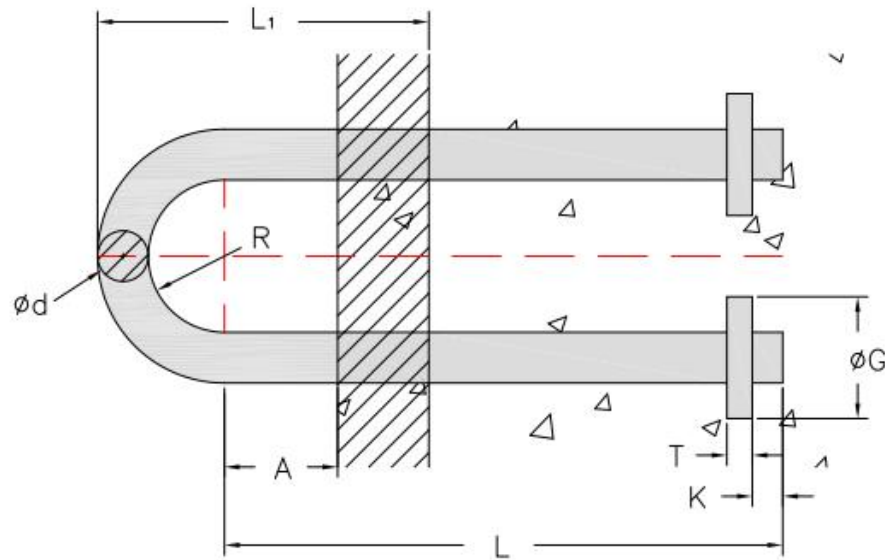


Unit: mm

Specification	Bolt				Nut	Washer							
	MD	H	J	S	T	m	n	N	P	Q	t	V	r
SC500H	M24	17	80	55	22	60	22	83	25	53	5	28	15
SC630H	M30	19	90	55	24	65	20	110	33	72	5	34	15
SC800H	M33	23	100	60	28	70	25	117	35	77	5	36	15
SC1000H	M39	26	115	65	32	80	26	148	40	102	6	43	25
SC1150H	M42	26	125	70	32	85	28	151	43	102	6	46	25
SC1250H	M45	30	130	75	38	90	31	153	45	102	6	49	30
SC1450H	M52	35	145	85	45	100	31	158	50	102	6	56	30
SC1600H	M52	35	145	85	45	100	34	158	50	102	6	56	30
SC1700H	M56	35	160	90	45	110	40	165	55	102	8	63	30
SC2000H	M64	40	170	95	51	116	38	165	58	102	8	70	40
SC2250H	M64	40	170	95	51	120	43	195	60	127	8	70	40
SC2500H	M64	40	190	95	51	125	50	202	65	127	10	70	50
SC3000H	M76	50	215	110	64	140	55	207	70	102	10	84	50

U Anchor & Chains

Unit: mm



Specification	φd	R	L	L1	A	T	K	φG
SC500H	40	60	440	210	50	25	25	100
SC630H	40	60	440	220	60	25	25	100
SC800H	50	75	650	250	70	30	30	120
SC1000H	60	75	750	250	70	30	30	120
SC1150H	60	75	750	250	70	30	30	120
SC1250H	60	90	790	250	70	30	30	120
SC1450H	60	90	850	250	70	30	30	120
SC1600H	60	90	900	250	70	30	30	120
SC1700H	70	90	1100	250	70	30	30	120
SC2000H	70	90	1220	250	70	30	30	130
SC2250H	80	120	1300	300	70	30	30	160
SC2500H	80	120	1400	300	70	30	30	160
SC3000H	90	130	1500	320	80	30	30	180



Shackle	Link	Chain Tensioner
Q235, SBC490, H.D.G	Q235, SBC490, H.D.G	Q235 H.D.G
M28	Dia.28	Dia.36
M36	Dia.30	Dia.36
M40	Dia.32	Dia.42
M42	Dia.36	Dia.48
M50	Dia.38	Dia.64
M50	Dia.40	Dia.64

Notes:

The above data is for reference only. The final drawing shall be designed according to the detailed information provided by the customer