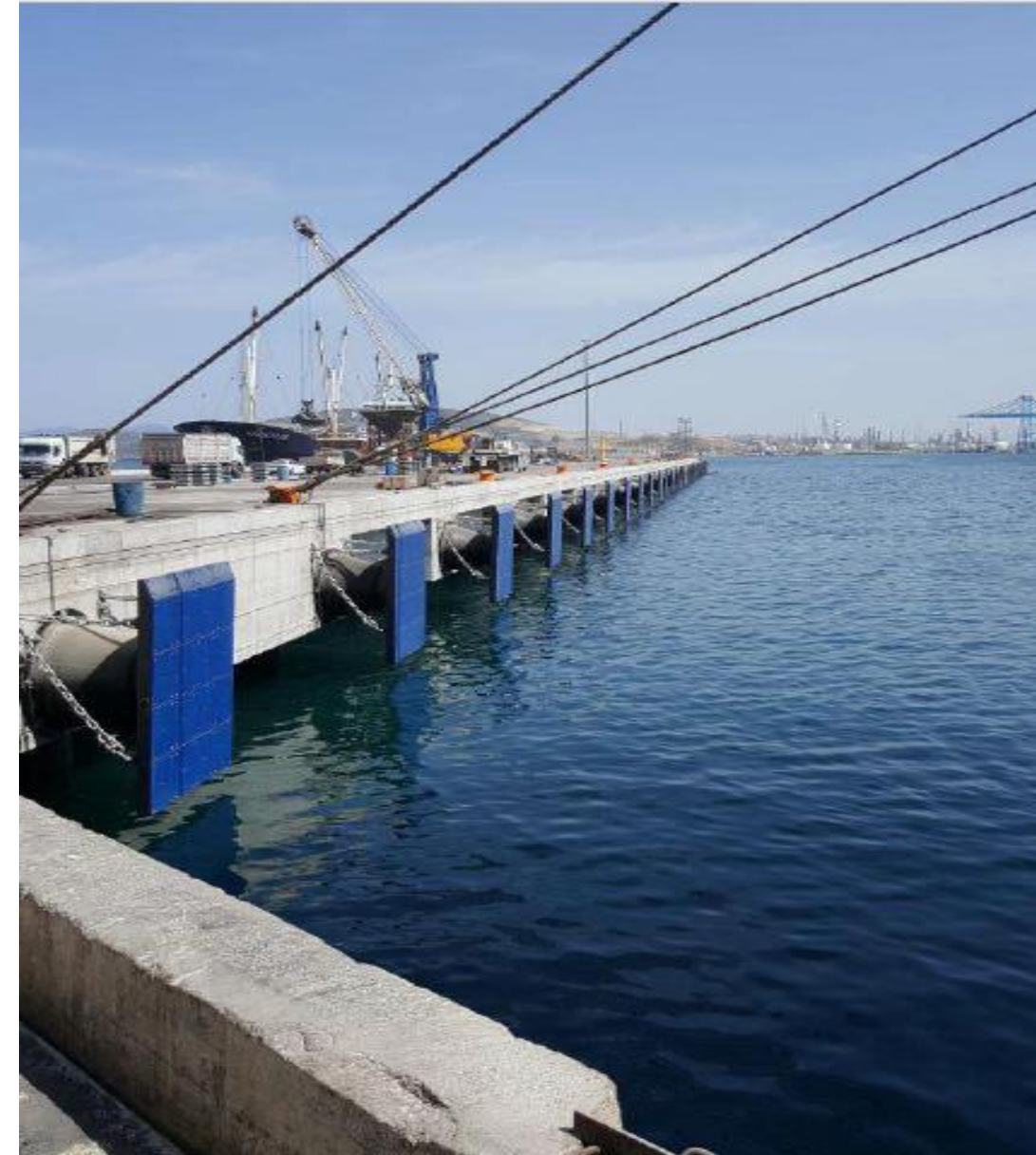
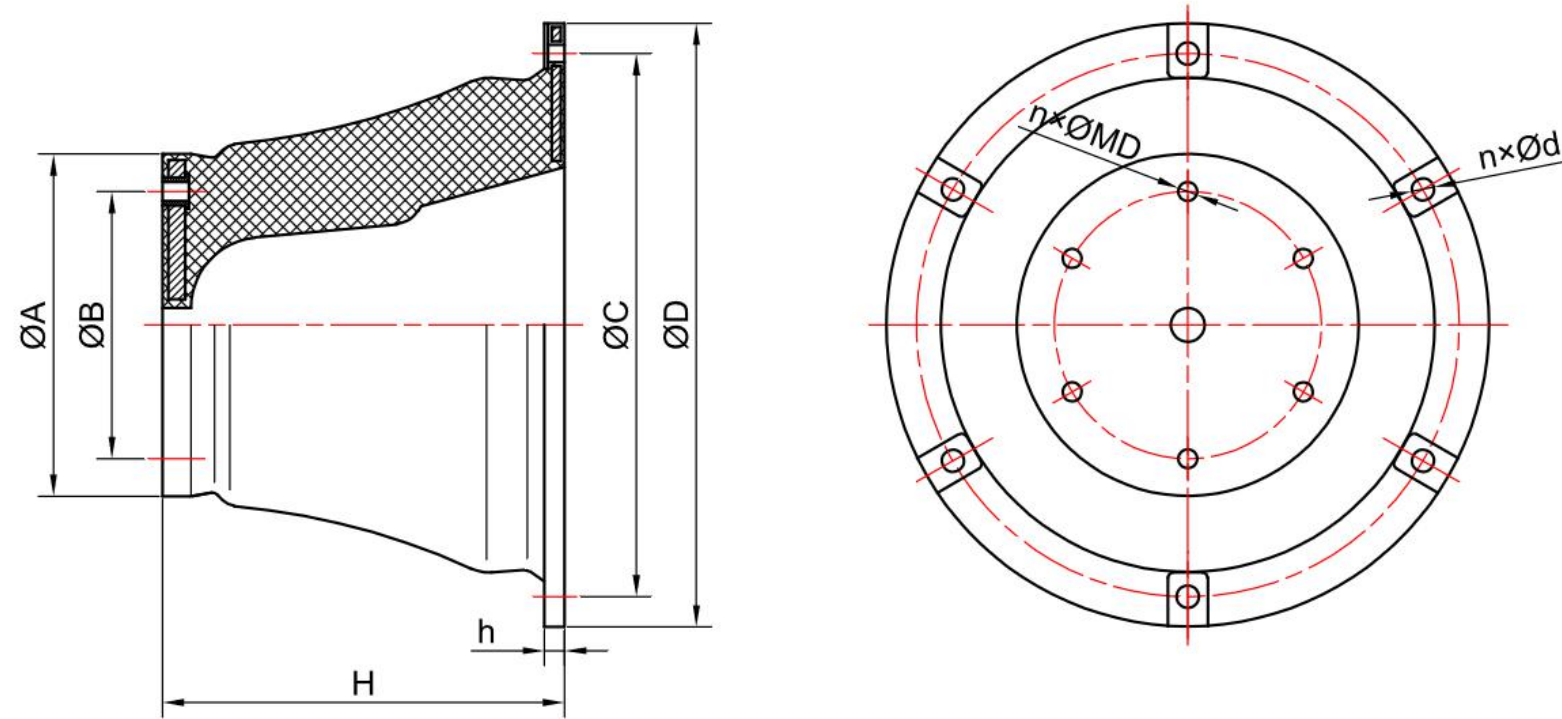


SUPER CONE FENDERS

Features:

1. big deflection, high performance
2. stable shape resists shear
3. can support large panel
4. better performance on angel compression
5. wide range sizes, can meet multi-design requirements
6. easy installation





Dimensions(mm)

Type(mm)	H	h	φA	φB	φC	φD	n	φd	MD
CN500	500	25	425	325	675	750	4	30	M24
CN600	600	27	510	390	810	900	6	30	M24
CN700	700	32	595	455	945	1050	6	38	M30
CN800	800	36	680	520	1080	1200	6	44	M36

CN900	900	41	765	585	1215	1350	6	44	M36
CN1000	1000	45	850	650	1350	1500	6	56	M42
CN1100	1100	50	935	715	1485	1650	6	50	M42
CN1150	1150	52	998	750	1550	1725	6	56	M42
CN1200	1200	54	1020	780	1620	1800	8	50	M42
CN1300	1300	59	1105	845	1755	1950	8	60	M48
CN1400	1400	66	1190	930	1890	2100	8	60	M48
CN1600	1600	72	1360	1060	2160	2400	8	70	M48
CN1800	1800	78	1530	1190	2430	2700	10	76	M56

Performance Data:

R/F: KN E/A:KN-m		RL		RO		RH		RS	
		Rated deflection 70%	Max deflection 72.5%	Rated deflection 70%	Max deflection 72.5%	Rated deflection 70%	Max deflection 72.5%	Rated deflection 70%	Max deflection 72.5%
CN 500H	R	165	193	200	232	268	311	335	380
	E	37	41	47	50	63	70	79	90
CN600H	R	225	258	283	319	382	429	480	542
	E	75	85	94	104	127	129	157	161
CN700H	R	308	341	384	426	522	568	652	691
	E	120	124	150	154	181	192	235	243
CN800H	R	402	428	502	576	706	833	862	930
	E	179	208	224	252	294	316	368	380
CN900H	R	508	558	635	703	862	957	1078	1189

	E	255	270	306	334	399	431	494	517
CN1000H	R	628	698	784	882	1078	1213	1339	1507
	E	350	380	437	478	541	588	669	735
CN1100H	R	800	833	927	1019	1146	1259	1430	1570
	E	408	432	495	527	650	681	830	885
CN1200H	R	890	979	1106	1229	1396	1536	1746	1920
	E	560	583	705	735	882	919	1103	1149
CN1300H	R	1125	1200	1320	1537	1705	1900	2125	2312
	E	750	800	1043	1077	1310	1360	1585	1640
CN1400H	R	1150	1278	1443	1604	1804	2005	2255	2506
	E	860	896	1079	1124	1349	1405	1686	1756
CN1600H	R	1418	1575	1814	2016	2268	2520	3024	3150
	E	1234	1285	1548	1613	1935	2016	2419	2520
CN1800H	R	1912	2125	2401	2667	3000	3333	3750	4166
	E	1804	1880	2264	2359	2830	2948	3538	3686

Notes:

1. Performance tolerance: $\pm 10\%$
2. Other performance is available to meet customers request
3. RE- Extreme high reaction force; RS-Super high reaction force; RH-High reaction force; RO- Standard reaction force; RL - Low reaction force
4. R- Reaction Force; E- Energy absorption

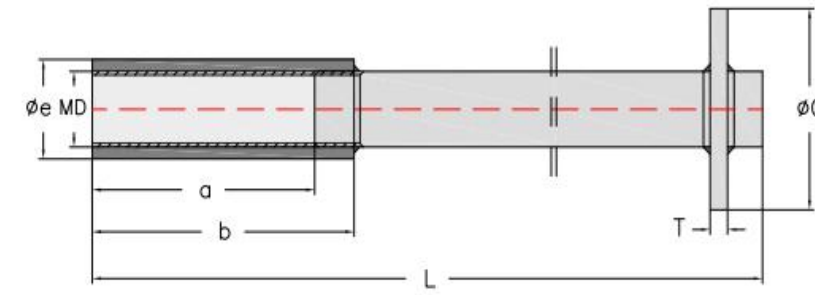
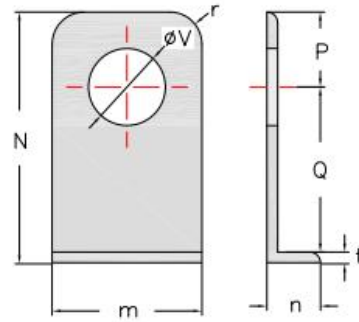
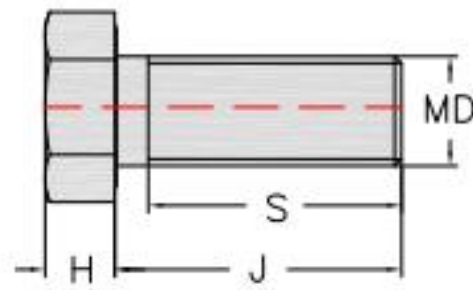
Fender Assembly and Accessories

A super CN rubber fender system including rubber fender, steel frontal panel, Face pad, anchoring system, nuts, U anchor, washer, and chains, etc.



ANCHORS

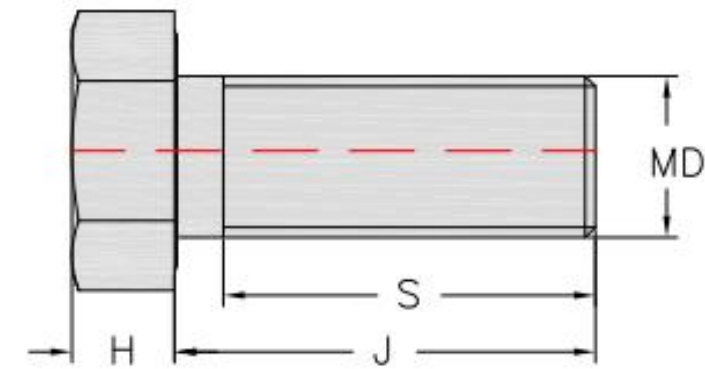
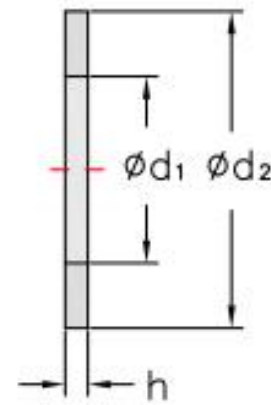




Unit: mm

Specification	Bolt				Washer								Anchors						
	MD	H	J	S	m	n	N	P	Q	t	V	r	MD	a	b	e	T	L	G
CN500	M24	15	60	55	55	20	69	25	40	4	28	15	M24	60	90	34	6	240	75
CN600	M24	15	65	60	60	20	83	30	48	5	28	15	M24	65	100	34	6	240	75
CN700	M30	19	70	65	65	20	93	33	55	5	34	15	M30	70	105	39	6	300	80
CN800	M36	23	85	70	70	24	102	35	62	5	40	15	M36	85	120	44	9	360	85
CN900	M36	23	90	70	70	24	113	37	70	6	40	15	M36	85	125	44	9	360	90
CN1000	M42	26	100	90	85	26	126	43	77	6	46	25	M42	95	125	59	9	420	100
CN1100	M42	26	100	90	85	26	134	43	85	6	46	25	M42	95	130	59	9	420	100
CN1150	M42	26	100	90	90	28	138	46	90	6	46	25	M42	95	130	59	12	420	100
CN1200	M42	26	110	95	90	31	146	46	92	8	46	30	M42	100	140	59	12	420	110
CN1300	M48	30	110	100	105	31	160	52	100	8	52	30	M48	100	150	64	12	480	115
CN1400	M48	30	120	100	110	31	167	52	107	8	52	30	M48	100	150	64	12	480	120
CN1600	M48	30	135	110	115	34	190	52	122	10	52	40	M48	105	165	64	16	480	135
CN1800	M56	35	135	110	115	40	207	60	137	10	60	40	M56	105	165	78	16	560	140

Connection Accessories

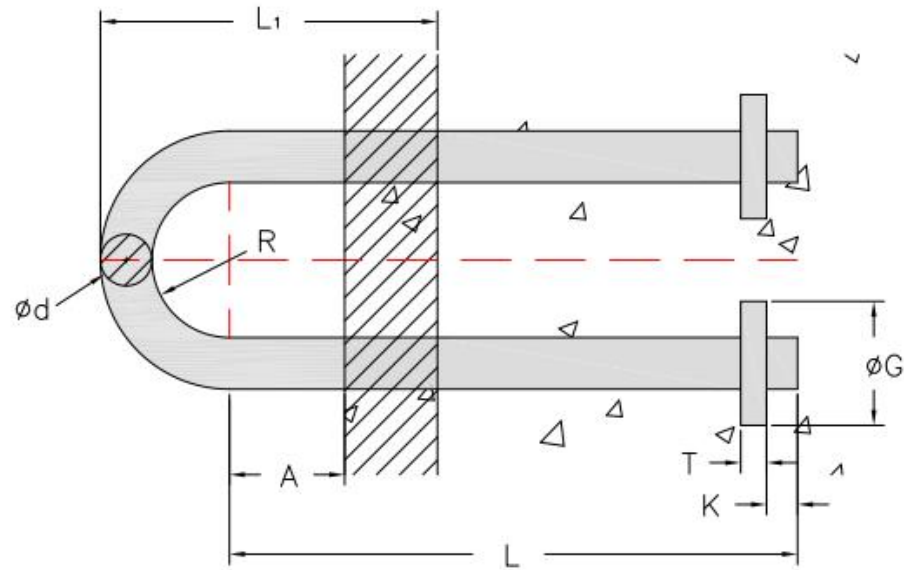


Unit: mm

Specification	Bolt				Washer		
	MD	J	S	H	d1	d2	h
CN500H-600H	24	50	40	15	26	44	4
CN700	30	55	45	19	33	56	4
CN800	36	65	50	23	39	66	5
CN900	36	76	50	23	39	66	5
CN1000-1100H	42	80	65	26	45	78	6
CN1500H	42	85	70	26	45	78	6
CN1200H	42	92	75	26	45	78	6
CN1300-1600H	48	100	80	30	52	92	8
CN1800H	56	120	100	35	62	105	10

U Anchor & Chains

Unit: mm



Specification	φd	R	L	L1	A	T	K	φG
CN500	40	60	440	210	50	25	25	100
CN600	40	60	440	220	60	25	25	100
CN700	50	75	650	250	70	30	30	120
CN800	60	75	750	250	70	30	30	120
CN900	60	75	750	250	70	30	30	120
CN1000	60	90	790	250	70	30	30	120
CN1100	60	90	850	250	70	30	30	120
CN1150	60	90	900	250	70	30	30	120
CN1200	70	90	1100	250	70	30	30	120
CN1300	70	90	1220	250	70	30	30	130
CN1400	80	120	1300	300	70	30	30	160
CN1600	80	120	1400	300	70	30	30	160
CN1800	90	130	1500	320	80	30	30	180



Shackle	Link	Chain Tensioner
Q235, SBC490, H.D.G	Q235, SBC490, H.D.G	Q235 H.D.G
M28	Dia.28	Dia.36
M36	Dia.30	Dia.36
M40	Dia.32	Dia.42
M42	Dia.36	Dia.48
M50	Dia.38	Dia.64
M50	Dia.40	Dia.64

Notes:

The above data is for reference only. The final drawing shall be designed according to the detailed information provided by the customer